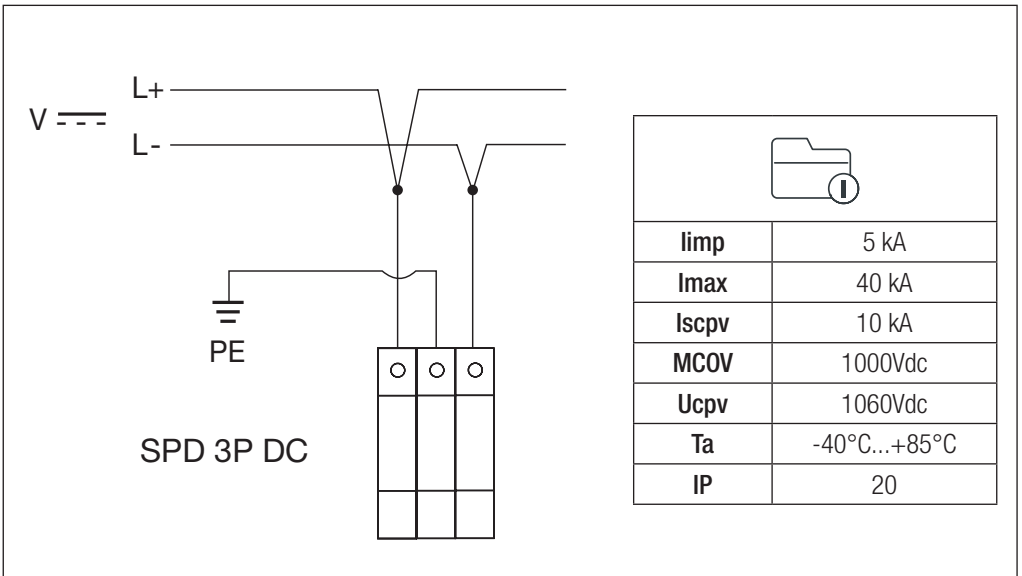
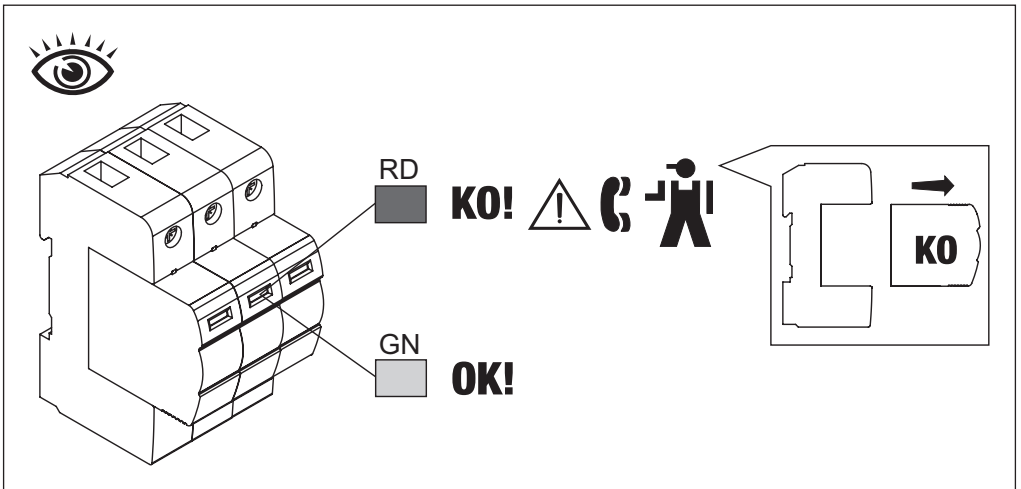
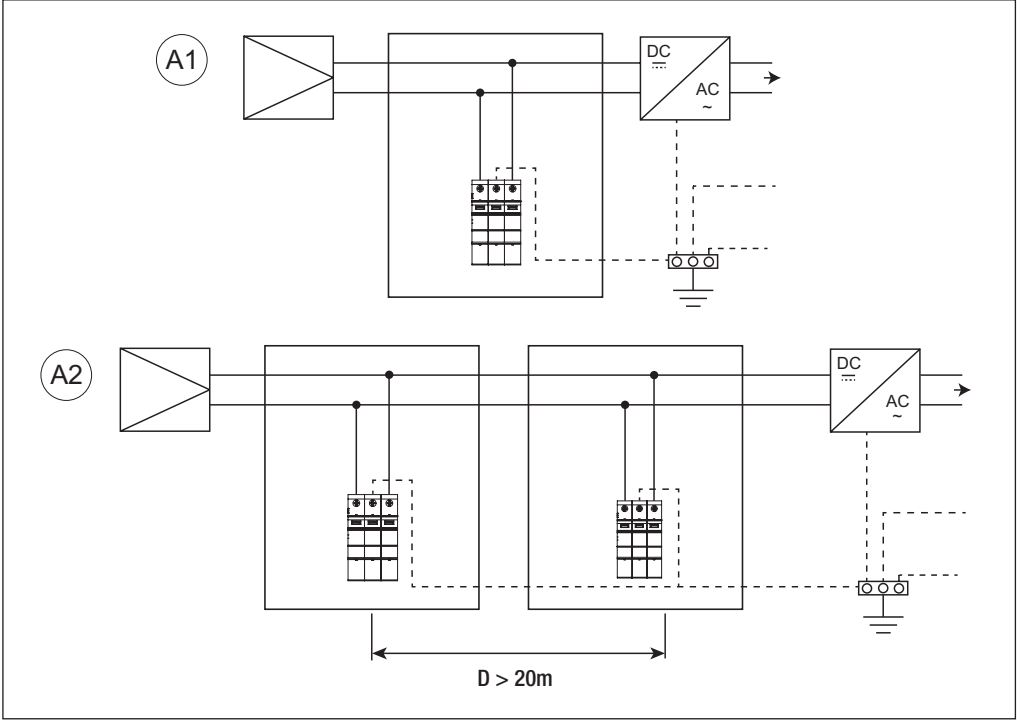


T1 + T2

TYPE 1+2
IEC/EN 61643-31



<b>I<sub>imp</sub></b>	5 kA
<b>I<sub>max</sub></b>	40 kA
<b>I<sub>scpv</sub></b>	10 kA
<b>MCOV</b>	1000Vdc
<b>U<sub>cpv</sub></b>	1060Vdc
<b>T<sub>a</sub></b>	-40°C...+85°C
<b>IP</b>	20



Punto di contatto indicato in adempimento ai fini delle direttive e regolamenti UE applicabili:  
 Contact details according to the relevant European Directives and Regulations:  
 GEWISS S.p.A. Via A.Volta, 1 IT-24069 Cenate Sotto (BG) Italy tel: +39 035 946 111 E-mail: qualitymarks@gewiss.com

According to applicable UK regulations, the company responsible for placing the goods in UK market is:  
 GEWISS UK LTD - Unity House, Compass Point Business Park, 9 Stocks Bridge Way, ST IVES  
 Cambridgeshire, PE27 5JL, United Kingdom tel: +44 1954 712757 E-mail: gewiss-uk@gewiss.com



**+39 035 946 11**

8:30 - 12:30 / 14:00 - 18:00

lunedì - venerdì / monday - friday



[www.gewiss.com](http://www.gewiss.com)

