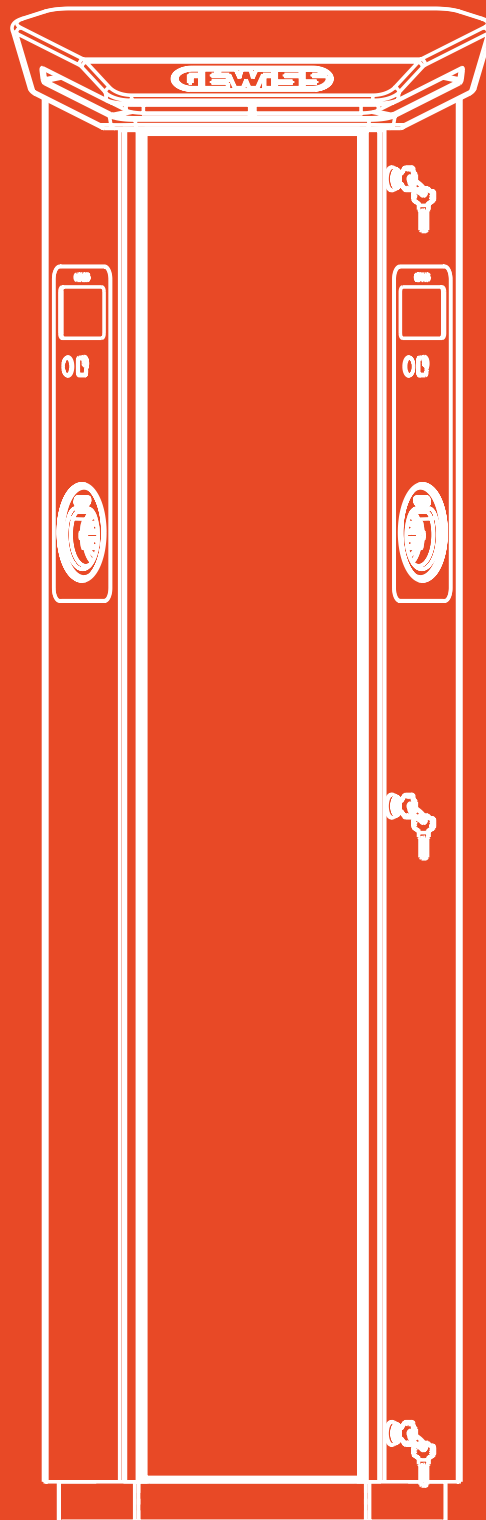


Technical specifications



WALLBOXES FOR CORPORATE SCENARIOS



CODE	GWJ9011W	GWJ9013W
Charging mode	Mode 4	Mode 4
Charging sockets	CCS2	CCS2 + CHAdeMO
Connector type	Mobile connector	Mobile connector
Cable length	4 m	4 m
ELECTRICAL SPECIFICATIONS		
Input		
AC rated input voltage	3Φ 380 ÷ 415 Vac	3Φ 380 ÷ 415 Vac
Maximum AC input current	3Φ 40A	3Φ 40A
Output		
Output voltage range	CCS2: 150 ÷ 950 Vdc	CCS2: 150 ÷ 950 Vdc
Maximum output current	CCS2: 80A	CCS2: 80A CHAdeMO: 60A
Maximum output power	30 kW	30 kW
Power factor	> 0.99	> 0.99
PROTECTIONS		
Incoming protection	OVP, OPP, OTP, UVP, SPD	OVP, OPP, OTP, UVP, SPD
Outbound protection	SCP, OCP, OVP, LVP, OTP, IMD	SCP, OCP, OVP, LVP, OTP, IMD
Energy Metering	Yes, integrated DC Meter	Yes, integrated DC Meter
FUNCTIONAL FEATURES		
Connectivity	Ethernet, WiFi and 4G	Ethernet, WiFi and 4G
Communication	CAN BUS / RS485 / OCPP 1.6J	CAN BUS / RS485 / OCPP 1.6J
Load Management	Via OCPP (Charging profile)	Via OCPP (Charging profile)
Charging Activation	RFID/APP	RFID/APP
Human Interface	7" graphic display	7" graphic display
Over-the-air updates	Yes	Yes
Contactless payments solution	-	-
Charging interface	DIN 70121, ISO15118-2	
Local directives	-	
MECHANICAL PROPERTIES		
Installation Type	Wall- / Floor-mounting	Wall- / Floor-mounting
Materials	Painted steel sheet	Painted steel sheet
Exterior colour	Chassis exterior color RAL7021	Chassis exterior color RAL7021
Surface treatment	Carbon coating on front panels	Carbon coating on front panels
Protection Rating	IP55	IP55
Impact Resistance Rating	IK10	IK10
Operating temperature	-25°C / +50°C	-25°C / +50°C
AVAILABLE ACCESSORIES		
RFID card	GWJ8002	GWJ8002
JOINON Data Micro SIM	GWJ8112	GWJ8112
Floor installation support	GWJ9923	GWJ9923
Cable management	-	-

COMPACT STATIONS FOR CORPORATE, SEMI-PUBLIC OR PUBLIC SCENARIOS



CODE	GWJ9122D	GWJ9123D	GWJ9122E	GWJ9123E
Charging mode	Mode 4	Mode 4	Mode 4	Mode 4
Charging sockets	CCS2	CCS2 + CHAdeMO	CCS2	CCS2 + CHAdeMO
Connector type	Mobile connector	Mobile connector	Mobile connector	Mobile connector
Cable length	4 m	4 m	4 m	4 m
ELECTRICAL SPECIFICATIONS				
Input				
AC rated input voltage	3Φ 380 ÷ 415 Vac	3Φ 380 ÷ 415 Vac	3Φ 380 ÷ 415 Vac	3Φ 380 ÷ 415 Vac
Maximum AC input current	3Φ 86A	3Φ 86A	3Φ 86A	3Φ 86A
Output				
Output voltage range	CCS2: 150 ÷ 950 Vdc	CCS2: 150 ÷ 950 Vdc CHAdeMO: 150 ÷ 500 Vdc	CCS2: 150 ÷ 950 Vdc	CCS2: 150 ÷ 950 Vdc CHAdeMO: 150 ÷ 500 Vdc
Maximum output current	CCS2: 150A	CCS2: 150A CHAdeMO: 120A	CCS2: 150A	CCS2: 150A CHAdeMO: 120A
Maximum output power	60 kW	60 kW	60 kW	60 kW
Power factor	> 0.99	> 0.99	> 0.99	> 0.99
PROTECTIONS				
Incoming protection	OVP, OPP, OTP, UVP, SPD	OVP, OPP, OTP, UVP, SPD	OVP, OPP, OTP, UVP, SPD	OVP, OPP, OTP, UVP, SPD
Outbound protection	SCP, OCP, OVP, LVP, OTP, IMD	SCP, OCP, OVP, LVP, OTP, IMD	SCP, OCP, OVP, LVP, OTP, IMD	SCP, OCP, OVP, LVP, OTP, IMD
Energy Metering	Yes, DC PTB Meter	Yes, DC PTB Meter	Yes, DC PTB Meter	Yes, DC PTB Meter
FUNCTIONAL FEATURES				
Connectivity	Ethernet, WiFi and 4G	Ethernet, WiFi and 4G	Ethernet, WiFi and 4G	Ethernet, WiFi and 4G
Communication	CAN BUS / RS485 / OCPP 1.6J	CAN BUS / RS485 / OCPP 1.6J	CAN BUS / RS485 / OCPP 1.6J	CAN BUS / RS485 / OCPP 1.6J
Load Management	Via OCPP (Charging profile)	Via OCPP (Charging profile)	Via OCPP (Charging profile)	Via OCPP (Charging profile)
Charging Activation	Credit Card/APP	Credit Card/APP	RFID/APP	RFID/APP
Human Interface	7" graphic display	7" graphic display	7" graphic display	7" graphic display
Over-the-air updates	Yes	Yes	Yes	Yes
Contactless payments solution	Yes, Payter P66	Yes, Payter P66	No	No
Charging interface	DIN 70121, ISO15118-2			
Local directives	Eichrecht		Eichrecht	
MECHANICAL PROPERTIES				
Installation Type	Floor-mounting	Floor-mounting	Floor-mounting	Floor-mounting
Materials	Painted steel sheet	Painted steel sheet	Painted steel sheet	Painted steel sheet
Exterior colour	Chassis exterior color RAL7021	Chassis exterior color RAL7021	Chassis exterior color RAL7021	Chassis exterior color RAL7021
Surface treatment	Carbon coating on front panels	Carbon coating on front panels	Carbon coating on front panels	Carbon coating on front panels
Protection Rating	IP55	IP55	IP55	IP55
Impact Resistance Rating	IK10	IK10	IK10	IK10
Operating temperature	-25°C / +50°C	-25°C / +50°C	-25°C / +50°C	-25°C / +50°C
AVAILABLE ACCESSORIES				
RFID card	GWJ8002	GWJ8002	GWJ8002	GWJ8002
JOINON Data Micro SIM	GWJ8112	GWJ8112	GWJ8112	GWJ8112
Floor installation support	GWJ9921	GWJ9921	GWJ9921	GWJ9921
Cable management	GWJ9911	GWJ9911	GWJ9911	GWJ9911

COMPACT STATIONS FOR CORPORATE OR SEMI-PUBLIC SCENARIOS



CODE	GWJ9122W	GWJ9123W	GWJ9126W
Charging mode	Mode 4	Mode 4	Mode 4
Charging sockets	CCS2	CCS2 + CHAdeMO	CCS2 + GBT
Connector type	Mobile connector	Mobile connector	Mobile connector
Cable length	4 m	4 m	4 m
ELECTRICAL SPECIFICATIONS			
Input			
AC rated input voltage	3Φ 380 ÷ 415 Vac	3Φ 380 ÷ 415 Vac	3Φ 380 ÷ 415 Vac
Maximum AC input current	3Φ 86A	3Φ 86A	3Φ 86A
Output			
Output voltage range	CCS2: 150 ÷ 950 Vdc	CCS2: 150 ÷ 950 Vdc CHAdeMO: 150 ÷ 500 Vdc	CCS2: 150 ÷ 950 Vdc GBT: 150 ÷ 750 Vdc
Maximum output current	CCS2: 120A	CCS2: 120A CHAdeMO: 120A	CCS2: 120A GBT: 120A
Maximum output power	60 kW	60 kW	60 kW
Power factor	> 0.99	> 0.99	> 0.99
PROTECTIONS			
Incoming protection	OVP, OPP, OTP, UVP, SPD	OVP, OPP, OTP, UVP, SPD	OVP, OPP, OTP, UVP, SPD
Outbound protection	SCP, OCP, OVP, LVP, OTP, IMD	SCP, OCP, OVP, LVP, OTP, IMD	SCP, OCP, OVP, LVP, OTP, IMD
Energy Metering	Yes, integrated DC Meter	Yes, integrated DC Meter	Yes, integrated DC Meter
FUNCTIONAL FEATURES			
Connectivity	Ethernet, WiFi and 4G	Ethernet, WiFi and 4G	Ethernet, WiFi and 4G
Communication	CAN BUS / RS485 / OCPP 1.6J	CAN BUS / RS485 / OCPP 1.6J	CAN BUS / RS485 / OCPP 1.6J
Load Management	Via OCPP (Charging profile)	Via OCPP (Charging profile)	Via OCPP (Charging profile)
Charging Activation	RFID/APP	RFID/APP	RFID/APP
Human Interface	7" graphic display	7" graphic display	7" graphic display
Over-the-air updates	Yes	Yes	Yes
Contactless payments solution	-	-	-
Charging interface	DIN 70121, ISO15118-2	DIN 70121, ISO15118-2	DIN 70121, ISO15118-2
Local directives	-	-	-
MECHANICAL PROPERTIES			
Installation Type	Floor-mounting	Floor-mounting	Floor-mounting
Materials	Painted steel sheet	Painted steel sheet	Painted steel sheet
Exterior colour	Chassis exterior color RAL7021	Chassis exterior color RAL7021	Chassis exterior colour RAL7021
Surface treatment	Carbon coating on front panels	Carbon coating on front panels	Carbon coating on front panels
Protection Rating	IP55	IP55	IP55
Impact Resistance Rating	IK10	IK10	IK10
Operating temperature	-25°C / +50°C	-25°C / +50°C	-25°C / +50°C
AVAILABLE ACCESSORIES			
RFID card	GWJ8002	GWJ8002	GWJ8002
JOINON Data Micro SIM	GWJ8112	GWJ8112	GWJ8112
Floor installation support	GWJ9921	GWJ9921	GWJ9921
Cable management	GWJ9911	GWJ9911	GWJ9911



CODE	GWJ9122M	GWJ9123M	GWJ9126M
Charging mode	Mode 4	Mode 4	Mode 4
Charging sockets	CCS2	CCS2 + CHAdeMO	CCS2 + GBT
Connector type	Mobile connector	Mobile connector	Mobile connector
Cable length	4 m	4 m	4 m
ELECTRICAL SPECIFICATIONS			
Input			
AC rated input voltage	3Φ 380 ÷ 415 Vac	3Φ 380 ÷ 415 Vac	3Φ 380 ÷ 415 Vac
Maximum AC input current	3Φ 86A	3Φ 86A	3Φ 86A
Output			
Output voltage range	CCS2: 150 ÷ 950 Vdc	CCS2: 150 ÷ 950 Vdc CHAdeMO: 150 ÷ 500 Vdc	CCS2: 150 ÷ 950 Vdc GBT: 150 ÷ 750 Vdc
Maximum output current	CCS2: 120A	CCS2: 120A CHAdeMO: 120A	CCS2: 120A GBT: 120A
Maximum output power	60 kW	60 kW	60 kW
Power factor	> 0.99	> 0.99	> 0.99
PROTECTIONS			
Incoming protection	OVP, OPP, OTP, UVP, SPD	OVP, OPP, OTP, UVP, SPD	OVP, OPP, OTP, UVP, SPD
Outbound protection	SCP, OCP, OVP, LVP, OTP, IMD	SCP, OCP, OVP, LVP, OTP, IMD	SCP, OCP, OVP, LVP, OTP, IMD
Energy Metering	Yes, MID AC Meter and integrated DC Meter	Yes, MID AC Meter and integrated DC Meter	Yes, MID AC Meter and integrated DC Meter
FUNCTIONAL FEATURES			
Connectivity	Ethernet, WiFi and 4G	Ethernet, WiFi and 4G	Ethernet, WiFi and 4G
Communication	CAN BUS / RS485 / OCPP 1.6J	CAN BUS / RS485 / OCPP 1.6J	CAN BUS / RS485 / OCPP 1.6J
Load Management	Via OCPP (Charging profile)	Via OCPP (Charging profile)	Via OCPP (Charging profile)
Charging Activation	RFID/APP	RFID/APP	RFID/APP
Human Interface	7" graphic display	7" graphic display	7" graphic display
Over-the-air updates	Yes	Yes	Yes
Contactless payments solution	-	-	-
Charging interface	DIN 70121, ISO15118-2	DIN 70121, ISO15118-2	DIN 70121, ISO15118-2
Local directives	UK: Compliant with PAS1899:2022, subclause 5.2, Table 2, "Height range requirements" (refer to manual for more details)		-
MECHANICAL PROPERTIES			
Installation Type	Floor-mounting	Floor-mounting	Floor-mounting
Materials	Painted steel sheet	Painted steel sheet	Painted steel sheet
Exterior colour	Chassis exterior color RAL7021	Chassis exterior color RAL7021	Chassis exterior colour RAL7021
Surface treatment	Carbon coating on front panels	Carbon coating on front panels	Carbon coating on front panels
Protection Rating	IP55	IP55	IP55
Impact Resistance Rating	IK10	IK10	IK10
Operating temperature	-25°C / +50°C	-25°C / +50°C	-25°C / +50°C
AVAILABLE ACCESSORIES			
RFID card	GWJ8002	GWJ8002	GWJ8002
JOINON Data Micro SIM	GWJ8112	GWJ8112	GWJ8112
Floor installation support	GWJ9921	GWJ9921	GWJ9921
Cable management	GWJ9911	GWJ9911	GWJ9911

COMPACT STATIONS FOR SEMI-PUBLIC OR PUBLIC SCENARIOS



CODE	GWJ9122P	GWJ9123P	GWJ9126P
Charging mode	Mode 4	Mode 4	Mode 4
Charging sockets	CCS2	CCS2 + CHAdeMO	CCS2 + GBT
Connector type	Mobile connector	Mobile connector	Mobile connector
Cable length	4 m	4 m	4 m
ELECTRICAL SPECIFICATIONS			
Input			
AC rated input voltage	3Φ 380 ÷ 415 Vac	3Φ 380 ÷ 415 Vac	3Φ 380 ÷ 415 Vac
Maximum AC input current	3Φ 86A	3Φ 86A	3Φ 86A
Output			
Output voltage range	CCS2: 150 ÷ 950 Vdc	CCS2: 150 ÷ 950 Vdc CHAdeMO: 150 ÷ 500 Vdc	CCS2: 150 ÷ 950 Vdc GBT: 150 ÷ 750 Vdc
Maximum output current	CCS2: 120A	CCS2: 120A CHAdeMO: 120A	CCS2: 120A GBT: 120A
Maximum output power	60 kW	60 kW	60 kW
Power factor	> 0.99	> 0.99	> 0.99
PROTECTIONS			
Incoming protection	OVP, OPP, OTP, UVP, SPD	OVP, OPP, OTP, UVP, SPD	OVP, OPP, OTP, UVP, SPD
Outbound protection	SCP, OCP, OVP, LVP, OTP, IMD	SCP, OCP, OVP, LVP, OTP, IMD	SCP, OCP, OVP, LVP, OTP, IMD
Energy Metering	Yes, integrated DC Meter	Yes, integrated DC Meter	Yes, integrated DC Meter
FUNCTIONAL FEATURES			
Connectivity	Ethernet, WiFi and 4G	Ethernet, WiFi and 4G	Ethernet, WiFi and 4G
Communication	CAN BUS / RS485 / OCPP 1.6J	CAN BUS / RS485 / OCPP 1.6J	CAN BUS / RS485 / OCPP 1.6J
Load Management	Via OCPP (Charging profile)	Via OCPP (Charging profile)	Via OCPP (Charging profile)
Charging Activation	Credit Card/APP	Credit Card/APP	Credit Card/APP
Human Interface	7" graphic display	7" graphic display	7" graphic display
Over-the-air updates	Yes	Yes	Yes
Contactless payments solution	Yes, Payter P66	Yes, Payter P66	Yes, Payter P66
Charging interface	DIN 70121, ISO15118-2	DIN 70121, ISO15118-2	DIN 70121, ISO15118-2
Local directives	UK: Compliant with PAS1899:2022, subclause 5.2, Table 2, "Height range requirements" (refer to manual for more details). Compliant to Public CP Regulation 2023 regarding manufacturer requirements		-
MECHANICAL PROPERTIES			
Installation Type	Floor-mounting	Floor-mounting	Floor-mounting
Materials	Painted steel sheet	Painted steel sheet	Painted steel sheet
Exterior colour	Chassis exterior color RAL7021	Chassis exterior color RAL7021	Chassis exterior colour RAL7021
Surface treatment	Carbon coating on front panels	Carbon coating on front panels	Carbon coating on front panels
Protection Rating	IP55	IP55	IP55
Impact Resistance Rating	IK10	IK10	IK10
Operating temperature	-25°C / +50°C	-25°C / +50°C	-25°C / +50°C
AVAILABLE ACCESSORIES			
RFID card	GWJ8002	GWJ8002	GWJ8002
JOINON Data Micro SIM	GWJ8112	GWJ8112	GWJ8112
Floor installation support	GWJ9921	GWJ9921	GWJ9921
Cable management	GWJ9911	GWJ9911	GWJ9911



CODE	GWJ9122F	GWJ9123F	GWJ9126F
Charging mode	Mode 4	Mode 4	Mode 4
Charging sockets	CCS2	CCS2 + CHAdeMO	CCS2 + GBT
Connector type	Mobile connector	Mobile connector	Mobile connector
Cable length	4 m	4 m	4 m
ELECTRICAL SPECIFICATIONS			
Input			
AC rated input voltage	3Φ 380 ÷ 415 Vac	3Φ 380 ÷ 415 Vac	3Φ 380 ÷ 415 Vac
Maximum AC input current	3Φ 86A	3Φ 86A	3Φ 86A
Output			
Output voltage range	CCS2: 150 ÷ 950 Vdc	CCS2: 150 ÷ 950 Vdc CHAdeMO: 150 ÷ 500 Vdc	CCS2: 150 ÷ 950 Vdc GBT: 150 ÷ 750 Vdc
Maximum output current	CCS2: 120A	CCS2: 120A CHAdeMO: 120A	CCS2: 120A GBT: 120A
Maximum output power	60 kW	60 kW	60 kW
Power factor	> 0.99	> 0.99	> 0.99
PROTECTIONS			
Incoming protection	OVP, OPP, OTP, UVP, SPD	OVP, OPP, OTP, UVP, SPD	OVP, OPP, OTP, UVP, SPD
Outbound protection	SCP, OCP, OVP, LVP, OTP, IMD	SCP, OCP, OVP, LVP, OTP, IMD	SCP, OCP, OVP, LVP, OTP, IMD
Energy Metering	Yes, MID AC Meter and integrated DC Meter	Yes, MID AC Meter and integrated DC Meter	Yes, MID AC Meter and integrated DC Meter
FUNCTIONAL FEATURES			
Connectivity	Ethernet, WiFi and 4G	Ethernet, WiFi and 4G	Ethernet, WiFi and 4G
Communication	CAN BUS / RS485 / OCPP 1.6J	CAN BUS / RS485 / OCPP 1.6J	CAN BUS / RS485 / OCPP 1.6J
Load Management	Via OCPP (Charging profile)	Via OCPP (Charging profile)	Via OCPP (Charging profile)
Charging Activation	Credit Card/APP	Credit Card/APP	Credit Card/APP
Human Interface	7" graphic display	7" graphic display	7" graphic display
Over-the-air updates	Yes	Yes	Yes
Contactless payments solution	Yes, Payter P66	Yes, Payter P66	Yes, Payter P66
Charging interface	DIN 70121, ISO15118-2	DIN 70121, ISO15118-2	DIN 70121, ISO15118-2
Local directives	UK: Compliant with PAS1899:2022, subclause 5.2, Table 2, "Height range requirements" (refer to manual for more details). Compliant to Public CP Regulation 2023 regarding manufacturer requirements		-
MECHANICAL PROPERTIES			
Installation Type	Floor-mounting	Floor-mounting	Floor-mounting
Materials	Painted steel sheet	Painted steel sheet	Painted steel sheet
Exterior colour	Chassis exterior color RAL7021	Chassis exterior color RAL7021	Chassis exterior colour RAL7021
Surface treatment	Carbon coating on front panels	Carbon coating on front panels	Carbon coating on front panels
Protection Rating	IP55	IP55	IP55
Impact Resistance Rating	IK10	IK10	IK10
Operating temperature	-25°C / +50°C	-25°C / +50°C	-25°C / +50°C
AVAILABLE ACCESSORIES			
RFID card	GWJ8002	GWJ8002	GWJ8002
JOINON Data Micro SIM	GWJ8112	GWJ8112	GWJ8112
Floor installation support	GWJ9921	GWJ9921	GWJ9921
Cable management	GWJ9911	GWJ9911	GWJ9911

STATIONS FOR CORPORATE OR SEMI-PUBLIC SCENARIOS



CODE	GWJ9232W	GWJ9242W	GWJ9252W	GWJ9262W	GWJ9233W	GWJ9243W	GWJ9253W	GWJ9263W
Charging mode	Mode 4	Mode 4	Mode 4	Mode 4	Mode 4	Mode 4	Mode 4	Mode 4
Charging sockets	CCS2	CCS2	CCS2	CCS2	CCS2 + CHAdeMO	CCS2 + CHAdeMO	CCS2 + CHAdeMO	CCS2 + CHAdeMO
Connector type	Mobile connector	Mobile connector	Mobile connector	Mobile connector	Mobile connector	Mobile connector	Mobile connector	Mobile connector
Cable length	4.5 m	4.5 m	4.5 m	4.5 m	4.5 m	4.5 m	4.5 m	4.5 m
ELECTRICAL SPECIFICATIONS								
Input								
AC rated input voltage	3φ 380 ÷ 415 Vac	3φ 380 ÷ 415 Vac	3φ 380 ÷ 415 Vac	3φ 380 ÷ 415 Vac	3φ 380 ÷ 415 Vac	3φ 380 ÷ 415 Vac	3φ 380 ÷ 415 Vac	3φ 380 ÷ 415 Vac
Maximum AC input current	3φ 130A	3φ 174A	3φ 217A	3φ 260A	3φ 130A	3φ 174A	3φ 217A	3φ 260A
Output								
Output voltage range	CCS2: 150 ÷ 950 Vdc	CCS2: 150 ÷ 950 Vdc	CCS2: 150 ÷ 950 Vdc	CCS2: 150 ÷ 950 Vdc	CCS2: 150 ÷ 950 Vdc CHAdeMO: 150 ÷ 500 Vdc	CCS2: 150 ÷ 950 Vdc CHAdeMO: 150 ÷ 500 Vdc	CCS2: 150 ÷ 950 Vdc CHAdeMO: 150 ÷ 500 Vdc	CCS2: 150 ÷ 950 Vdc CHAdeMO: 150 ÷ 500 Vdc
Maximum output current	CCS2: 200A (peak 250A)	CCS2: 200A (peak 250A)	CCS2: 200A (peak 250A)	CCS2: 200A (peak 250A)	CCS2: 200A (peak 250A) CHAdeMO: 120A	CCS2: 200A (peak 250A) CHAdeMO: 120A	CCS2: 200A (peak 250A) CHAdeMO: 120A	CCS2: 200A (peak 250A) CHAdeMO: 120A
Maximum output power	90 kW	120 kW	150 kW	180 kW	90 kW	120 kW	150 kW	180 kW
Power factor	> 0.99	> 0.99	> 0.99	> 0.99	> 0.99	> 0.99	> 0.99	> 0.99
PROTECTIONS								
Incoming protection	OVP, OPP, OTP, UVP, SPD	OVP, OPP, OTP, UVP, SPD	OVP, OPP, OTP, UVP, SPD	OVP, OPP, OTP, UVP, SPD	OVP, OPP, OTP, UVP, SPD	OVP, OPP, OTP, UVP, SPD	OVP, OPP, OTP, UVP, SPD	OVP, OPP, OTP, UVP, SPD
Outbound protection	SCP, OCP, OVP, LVP, OTP, IMD	SCP, OCP, OVP, LVP, OTP, IMD	SCP, OCP, OVP, LVP, OTP, IMD	SCP, OCP, OVP, LVP, OTP, IMD	SCP, OCP, OVP, LVP, OTP, IMD	SCP, OCP, OVP, LVP, OTP, IMD	SCP, OCP, OVP, LVP, OTP, IMD	SCP, OCP, OVP, LVP, OTP, IMD
Energy Metering	Yes, integrated DC Meter	Yes, integrated DC Meter	Yes, integrated DC Meter	Yes, integrated DC Meter	Yes, integrated DC Meter	Yes, integrated DC Meter	Yes, integrated DC Meter	Yes, integrated DC Meter
FUNCTIONAL FEATURES								
Connectivity	Ethernet, WiFi and 4G	Ethernet, WiFi and 4G	Ethernet, WiFi and 4G	Ethernet, WiFi and 4G	Ethernet, WiFi and 4G	Ethernet, WiFi and 4G	Ethernet, WiFi and 4G	Ethernet, WiFi and 4G
Communication	CAN BUS / RS485 / OCPP 1.6J	CAN BUS / RS485 / OCPP 1.6J	CAN BUS / RS485 / OCPP 1.6J	CAN BUS / RS485 / OCPP 1.6J	CAN BUS / RS485 / OCPP 1.6J	CAN BUS / RS485 / OCPP 1.6J	CAN BUS / RS485 / OCPP 1.6J	CAN BUS / RS485 / OCPP 1.6J
Load Management	Via OCPP (Charging profile)	Via OCPP (Charging profile)	Via OCPP (Charging profile)	Via OCPP (Charging profile)	Via OCPP (Charging profile)	Via OCPP (Charging profile)	Via OCPP (Charging profile)	Via OCPP (Charging profile)
Charging Activation	RFID/APP	RFID/APP	RFID/APP	RFID/APP	RFID/APP	RFID/APP	RFID/APP	RFID/APP
Human Interface	7" graphic display	7" graphic display	7" graphic display	7" graphic display	7" graphic display	7" graphic display	7" graphic display	7" graphic display
Over-the-air updates	Yes	Yes	Yes	Yes	Yes	Yes	Yes	Yes
Contactless payments solution	-	-	-	-	-	-	-	-
Charging interface	DIN 70121, ISO15118-2	DIN 70121, ISO15118-2	DIN 70121, ISO15118-2	DIN 70121, ISO15118-2	DIN 70121, ISO15118-2	DIN 70121, ISO15118-2	DIN 70121, ISO15118-2	DIN 70121, ISO15118-2
Local directives	-	-	-	-	-	-	-	-
MECHANICAL PROPERTIES								
Installation Type	Floor-mounting	Floor-mounting	Floor-mounting	Floor-mounting	Floor-mounting	Floor-mounting	Floor-mounting	Floor-mounting
Materials	Painted steel sheet	Painted steel sheet	Painted steel sheet	Painted steel sheet	Painted steel sheet	Painted steel sheet	Painted steel sheet	Painted steel sheet
Exterior colour	Chassis exterior color RAL7021	Chassis exterior color RAL7021	Chassis exterior color RAL7021	Chassis exterior color RAL7021	Chassis exterior color RAL7021	Chassis exterior color RAL7021	Chassis exterior color RAL7021	Chassis exterior color RAL7021
Surface treatment	Carbon coating on front panels	Carbon coating on front panels	Carbon coating on front panels	Carbon coating on front panels	Carbon coating on front panels	Carbon coating on front panels	Carbon coating on front panels	Carbon coating on front panels
Protection Rating	IP55	IP55	IP55	IP55	IP55	IP55	IP55	IP55
Impact Resistance Rating	IK10	IK10	IK10	IK10	IK10	IK10	IK10	IK10
Operating temperature	-25°C / +50°C	-25°C / +50°C	-25°C / +50°C	-25°C / +50°C	-25°C / +50°C	-25°C / +50°C	-25°C / +50°C	-25°C / +50°C
AVAILABLE ACCESSORIES								
RFID card	GWJ8002	GWJ8002	GWJ8002	GWJ8002	GWJ8002	GWJ8002	GWJ8002	GWJ8002
JOINON Data Micro SIM	GWJ8112	GWJ8112	GWJ8112	GWJ8112	GWJ8112	GWJ8112	GWJ8112	GWJ8112
Floor installation support	GWJ9922	GWJ9922	GWJ9922	GWJ9922	GWJ9922	GWJ9922	GWJ9922	GWJ9922
Cable management	GWJ9912	GWJ9912	GWJ9912	GWJ9912	GWJ9912	GWJ9912	GWJ9912	GWJ9912

STATIONS FOR CORPORATE OR SEMI-PUBLIC SCENARIOS



CODE	GWJ9232M	GWJ9242M	GWJ9252M	GWJ9262M	GWJ9233M	GWJ9243M	GWJ9253M	GWJ9263M
Charging mode	Mode 4	Mode 4	Mode 4	Mode 4	Mode 4	Mode 4	Mode 4	Mode 4
Charging sockets	CCS2	CCS2	CCS2	CCS2	CCS2 + CHAdeMO	CCS2 + CHAdeMO	CCS2 + CHAdeMO	CCS2 + CHAdeMO
Connector type	Mobile connector	Mobile connector	Mobile connector	Mobile connector	Mobile connector	Mobile connector	Mobile connector	Mobile connector
Cable length	4.5 m	4.5 m	4.5 m	4.5 m	4.5 m	4.5 m	4.5 m	4.5 m
ELECTRICAL SPECIFICATIONS								
Input								
AC rated input voltage	3Φ 380 ÷ 415 Vac	3Φ 380 ÷ 415 Vac	3Φ 380 ÷ 415 Vac	3Φ 380 ÷ 415 Vac	3Φ 380 ÷ 415 Vac	3Φ 380 ÷ 415 Vac	3Φ 380 ÷ 415 Vac	3Φ 380 ÷ 415 Vac
Maximum AC input current	3Φ 130A	3Φ 174A	3Φ 217A	3Φ 260A	3Φ 130A	3Φ 174A	3Φ 217A	3Φ 260A
Output								
Output voltage range	CCS2: 150 ÷ 950 Vdc	CCS2: 150 ÷ 950 Vdc	CCS2: 150 ÷ 950 Vdc	CCS2: 150 ÷ 950 Vdc	CCS2: 150 ÷ 950 Vdc CHAdeMO: 150 ÷ 500 Vdc	CCS2: 150 ÷ 950 Vdc CHAdeMO: 150 ÷ 500 Vdc	CCS2: 150 ÷ 950 Vdc CHAdeMO: 150 ÷ 500 Vdc	CCS2: 150 ÷ 950 Vdc CHAdeMO: 150 ÷ 500 Vdc
Maximum output current	CCS2: 200A (peak 250A)	CCS2: 200A (peak 250A)	CCS2: 200A (peak 250A)	CCS2: 200A (peak 250A)	CCS2: 200A (peak 250A) CHAdeMO: 120A	CCS2: 200A (peak 250A) CHAdeMO: 120A	CCS2: 200A (peak 250A) CHAdeMO: 120A	CCS2: 200A (peak 250A) CHAdeMO: 120A
Maximum output power	90 kW	120 kW	150 kW	180 kW	90 kW	120 kW	150 kW	180 kW
Power factor	> 0.99	> 0.99	> 0.99	> 0.99	> 0.99	> 0.99	> 0.99	> 0.99
PROTECTIONS								
Incoming protection	OVP, OPP, OTP, UVP, SPD	OVP, OPP, OTP, UVP, SPD	OVP, OPP, OTP, UVP, SPD	OVP, OPP, OTP, UVP, SPD	OVP, OPP, OTP, UVP, SPD	OVP, OPP, OTP, UVP, SPD	OVP, OPP, OTP, UVP, SPD	OVP, OPP, OTP, UVP, SPD
Outbound protection	SCP, OCP, OVP, LVP, OTP, IMD	SCP, OCP, OVP, LVP, OTP, IMD	SCP, OCP, OVP, LVP, OTP, IMD	SCP, OCP, OVP, LVP, OTP, IMD	SCP, OCP, OVP, LVP, OTP, IMD	SCP, OCP, OVP, LVP, OTP, IMD	SCP, OCP, OVP, LVP, OTP, IMD	SCP, OCP, OVP, LVP, OTP, IMD
Energy Metering	Yes, MID AC Meter and integrated DC Meter	Yes, MID AC Meter and integrated DC Meter	Yes, MID AC Meter and integrated DC Meter	Yes, MID AC Meter and integrated DC Meter	Yes, MID AC Meter and integrated DC Meter	Yes, MID AC Meter and integrated DC Meter	Yes, MID AC Meter and integrated DC Meter	Yes, MID AC Meter and integrated DC Meter
FUNCTIONAL FEATURES								
Connectivity	Ethernet, WiFi and 4G	Ethernet, WiFi and 4G	Ethernet, WiFi and 4G	Ethernet, WiFi and 4G	Ethernet, WiFi and 4G	Ethernet, WiFi and 4G	Ethernet, WiFi and 4G	Ethernet, WiFi and 4G
Communication	CAN BUS / RS485 / OCPP 1.6J	CAN BUS / RS485 / OCPP 1.6J	CAN BUS / RS485 / OCPP 1.6J	CAN BUS / RS485 / OCPP 1.6J	CAN BUS / RS485 / OCPP 1.6J	CAN BUS / RS485 / OCPP 1.6J	CAN BUS / RS485 / OCPP 1.6J	CAN BUS / RS485 / OCPP 1.6J
Load Management	Via OCPP (Charging profile)	Via OCPP (Charging profile)	Via OCPP (Charging profile)	Via OCPP (Charging profile)	Via OCPP (Charging profile)	Via OCPP (Charging profile)	Via OCPP (Charging profile)	Via OCPP (Charging profile)
Charging Activation	RFID/APP	RFID/APP	RFID/APP	RFID/APP	RFID/APP	RFID/APP	RFID/APP	RFID/APP
Human Interface	7" graphic display	7" graphic display	7" graphic display	7" graphic display	7" graphic display	7" graphic display	7" graphic display	7" graphic display
Over-the-air updates	Yes	Yes	Yes	Yes	Yes	Yes	Yes	Yes
Contactless payments solution	-	-	-	-	-	-	-	-
Charging interface	DIN 70121, ISO15118-2	DIN 70121, ISO15118-2	DIN 70121, ISO15118-2	DIN 70121, ISO15118-2	DIN 70121, ISO15118-2	DIN 70121, ISO15118-2	DIN 70121, ISO15118-2	DIN 70121, ISO15118-2
Local directives	UK: Compliant with PAS1899:2022, subclause 5.2, Table 2, "Height range requirements" (refer to manual for more details)				UK: Compliant with PAS1899:2022, subclause 5.2, Table 2, "Height range requirements" (refer to manual for more details)			
MECHANICAL PROPERTIES								
Installation Type	Floor-mounting	Floor-mounting	Floor-mounting	Floor-mounting	Floor-mounting	Floor-mounting	Floor-mounting	Floor-mounting
Materials	Painted steel sheet	Painted steel sheet	Painted steel sheet	Painted steel sheet	Painted steel sheet	Painted steel sheet	Painted steel sheet	Painted steel sheet
Exterior colour	Chassis exterior color RAL7021	Chassis exterior color RAL7021	Chassis exterior color RAL7021	Chassis exterior color RAL7021	Chassis exterior color RAL7021	Chassis exterior color RAL7021	Chassis exterior color RAL7021	Chassis exterior color RAL7021
Surface treatment	Carbon coating on front panels	Carbon coating on front panels	Carbon coating on front panels	Carbon coating on front panels	Carbon coating on front panels	Carbon coating on front panels	Carbon coating on front panels	Carbon coating on front panels
Protection Rating	IP55	IP55	IP55	IP55	IP55	IP55	IP55	IP55
Impact Resistance Rating	IK10	IK10	IK10	IK10	IK10	IK10	IK10	IK10
Operating temperature	-25°C / +50°C	-25°C / +50°C	-25°C / +50°C	-25°C / +50°C	-25°C / +50°C	-25°C / +50°C	-25°C / +50°C	-25°C / +50°C
AVAILABLE ACCESSORIES								
RFID card	GWJ8002	GWJ8002	GWJ8002	GWJ8002	GWJ8002	GWJ8002	GWJ8002	GWJ8002
JOINON Data Micro SIM	GWJ8112	GWJ8112	GWJ8112	GWJ8112	GWJ8112	GWJ8112	GWJ8112	GWJ8112
Floor installation support	GWJ9922	GWJ9922	GWJ9922	GWJ9922	GWJ9922	GWJ9922	GWJ9922	GWJ9922
Cable management	GWJ9912	GWJ9912	GWJ9912	GWJ9912	GWJ9912	GWJ9912	GWJ9912	GWJ9912

STATIONS FOR SEMI-PUBLIC OR PUBLIC SCENARIOS



CODE	GWJ9232P	GWJ9242P	GWJ9252P	GWJ9262P	GWJ9233P	GWJ9243P	GWJ9253P	GWJ9263P
Charging mode	Mode 4	Mode 4	Mode 4	Mode 4	Mode 4	Mode 4	Mode 4	Mode 4
Charging sockets	CCS2	CCS2	CCS2	CCS2	CCS2 + CHAdeMO	CCS2 + CHAdeMO	CCS2 + CHAdeMO	CCS2 + CHAdeMO
Connector type	Mobile connector	Mobile connector	Mobile connector	Mobile connector	Mobile connector	Mobile connector	Mobile connector	Mobile connector
Cable length	4.5 m	4.5 m	4.5 m	4.5 m	4.5 m	4.5 m	4.5 m	4.5 m
ELECTRICAL SPECIFICATIONS								
Input								
AC rated input voltage	3Φ 380 ÷ 415 Vac	3Φ 380 ÷ 415 Vac	3Φ 380 ÷ 415 Vac	3Φ 380 ÷ 415 Vac	3Φ 380 ÷ 415 Vac	3Φ 380 ÷ 415 Vac	3Φ 380 ÷ 415 Vac	3Φ 380 ÷ 415 Vac
Maximum AC input current	3Φ 130A	3Φ 174A	3Φ 217A	3Φ 260A	3Φ 130A	3Φ 174A	3Φ 217A	3Φ 260A
Output								
Output voltage range	CCS2: 150 ÷ 950 Vdc	CCS2: 150 ÷ 950 Vdc	CCS2: 150 ÷ 950 Vdc	CCS2: 150 ÷ 950 Vdc	CCS2: 150 ÷ 950 Vdc CHAdeMO: 150 ÷ 500 Vdc	CCS2: 150 ÷ 950 Vdc CHAdeMO: 150 ÷ 500 Vdc	CCS2: 150 ÷ 950 Vdc CHAdeMO: 150 ÷ 500 Vdc	CCS2: 150 ÷ 950 Vdc CHAdeMO: 150 ÷ 500 Vdc
Maximum output current	CCS2: 200A (peak 250A)	CCS2: 200A (peak 250A)	CCS2: 200A (peak 250A)	CCS2: 200A (peak 250A)	CCS2: 200A (peak 250A) CHAdeMO: 120A	CCS2: 200A (peak 250A) CHAdeMO: 120A	CCS2: 200A (peak 250A) CHAdeMO: 120A	CCS2: 200A (peak 250A) CHAdeMO: 120A
Maximum output power	90 kW	120 kW	150 kW	180 kW	90 kW	120 kW	150 kW	180 kW
Power factor	> 0.99	> 0.99	> 0.99	> 0.99	> 0.99	> 0.99	> 0.99	> 0.99
PROTECTIONS								
Incoming protection	OVP, OPP, OTP, UVP, SPD	OVP, OPP, OTP, UVP, SPD	OVP, OPP, OTP, UVP, SPD	OVP, OPP, OTP, UVP, SPD	OVP, OPP, OTP, UVP, SPD	OVP, OPP, OTP, UVP, SPD	OVP, OPP, OTP, UVP, SPD	OVP, OPP, OTP, UVP, SPD
Outbound protection	SCP, OCP, OVP, LVP, OTP, IMD	SCP, OCP, OVP, LVP, OTP, IMD	SCP, OCP, OVP, LVP, OTP, IMD	SCP, OCP, OVP, LVP, OTP, IMD	SCP, OCP, OVP, LVP, OTP, IMD	SCP, OCP, OVP, LVP, OTP, IMD	SCP, OCP, OVP, LVP, OTP, IMD	SCP, OCP, OVP, LVP, OTP, IMD
Energy Metering	Yes, integrated DC Meter	Yes, integrated DC Meter	Yes, integrated DC Meter	Yes, integrated DC Meter	Yes, integrated DC Meter	Yes, integrated DC Meter	Yes, integrated DC Meter	Yes, integrated DC Meter
FUNCTIONAL FEATURES								
Connectivity	Ethernet, WiFi and 4G	Ethernet, WiFi and 4G	Ethernet, WiFi and 4G	Ethernet, WiFi and 4G	Ethernet, WiFi and 4G	Ethernet, WiFi and 4G	Ethernet, WiFi and 4G	Ethernet, WiFi and 4G
Communication	CAN BUS / RS485 / OCPP 1.6J	CAN BUS / RS485 / OCPP 1.6J	CAN BUS / RS485 / OCPP 1.6J	CAN BUS / RS485 / OCPP 1.6J	CAN BUS / RS485 / OCPP 1.6J	CAN BUS / RS485 / OCPP 1.6J	CAN BUS / RS485 / OCPP 1.6J	CAN BUS / RS485 / OCPP 1.6J
Load Management	Via OCPP (Charging profile)	Via OCPP (Charging profile)	Via OCPP (Charging profile)	Via OCPP (Charging profile)	Via OCPP (Charging profile)	Via OCPP (Charging profile)	Via OCPP (Charging profile)	Via OCPP (Charging profile)
Charging Activation	Credit Card/APP	Credit Card/APP	Credit Card/APP	Credit Card/APP	Credit Card/APP	Credit Card/APP	Credit Card/APP	Credit Card/APP
Human Interface	7" graphic display	7" graphic display	7" graphic display	7" graphic display	7" graphic display	7" graphic display	7" graphic display	7" graphic display
Over-the-air updates	Yes	Yes	Yes	Yes	Yes	Yes	Yes	Yes
Contactless payments solution	Yes, Payter P66	Yes, Payter P66	Yes, Payter P66	Yes, Payter P66	Yes, Payter P66	Yes, Payter P66	Yes, Payter P66	Yes, Payter P66
Charging interface	DIN 70121, ISO15118-2	DIN 70121, ISO15118-2	DIN 70121, ISO15118-2	DIN 70121, ISO15118-2	DIN 70121, ISO15118-2	DIN 70121, ISO15118-2	DIN 70121, ISO15118-2	DIN 70121, ISO15118-2
Local directives	UK: Compliant with PAS1899:2022, subclause 5.2, Table 2, "Height range requirements" (refer to manual for more details). Compliant to Public CP Regulation 2023 regarding manufacturer requirements				UK: Compliant with PAS1899:2022, subclause 5.2, Table 2, "Height range requirements" (refer to manual for more details). Compliant to Public CP Regulation 2023 regarding manufacturer requirements			
MECHANICAL PROPERTIES								
Installation Type	Floor-mounting	Floor-mounting	Floor-mounting	Floor-mounting	Floor-mounting	Floor-mounting	Floor-mounting	Floor-mounting
Materials	Painted steel sheet	Painted steel sheet	Painted steel sheet	Painted steel sheet	Painted steel sheet	Painted steel sheet	Painted steel sheet	Painted steel sheet
Exterior colour	Chassis exterior color RAL7021	Chassis exterior color RAL7021	Chassis exterior color RAL7021	Chassis exterior color RAL7021	Chassis exterior color RAL7021	Chassis exterior color RAL7021	Chassis exterior color RAL7021	Chassis exterior color RAL7021
Surface treatment	Carbon coating on front panels	Carbon coating on front panels	Carbon coating on front panels	Carbon coating on front panels	Carbon coating on front panels	Carbon coating on front panels	Carbon coating on front panels	Carbon coating on front panels
Protection Rating	IP55	IP55	IP55	IP55	IP55	IP55	IP55	IP55
Impact Resistance Rating	IK10	IK10	IK10	IK10	IK10	IK10	IK10	IK10
Operating temperature	-25°C / +50°C	-25°C / +50°C	-25°C / +50°C	-25°C / +50°C	-25°C / +50°C	-25°C / +50°C	-25°C / +50°C	-25°C / +50°C
AVAILABLE ACCESSORIES								
RFID card	GWJ8002	GWJ8002	GWJ8002	GWJ8002	GWJ8002	GWJ8002	GWJ8002	GWJ8002
JOINON Data Micro SIM	GWJ8112	GWJ8112	GWJ8112	GWJ8112	GWJ8112	GWJ8112	GWJ8112	GWJ8112
Floor installation support	GWJ9922	GWJ9922	GWJ9922	GWJ9922	GWJ9922	GWJ9922	GWJ9922	GWJ9922
Cable management	GWJ9912	GWJ9912	GWJ9912	GWJ9912	GWJ9912	GWJ9912	GWJ9912	GWJ9912

STATIONS FOR SEMI-PUBLIC OR PUBLIC SCENARIOS



CODE	GWJ9232F	GWJ9242F	GWJ9252F	GWJ9262F	GWJ9233F	GWJ9243F	GWJ9253F	GWJ9263F
Charging mode	Mode 4	Mode 4	Mode 4	Mode 4	Mode 4	Mode 4	Mode 4	Mode 4
Charging sockets	CCS2	CCS2	CCS2	CCS2	CCS2 + CHAdeMO	CCS2 + CHAdeMO	CCS2 + CHAdeMO	CCS2 + CHAdeMO
Connector type	Mobile connector	Mobile connector	Mobile connector	Mobile connector	Mobile connector	Mobile connector	Mobile connector	Mobile connector
Cable length	4.5 m	4.5 m	4.5 m	4.5 m	4.5 m	4.5 m	4.5 m	4.5 m
ELECTRICAL SPECIFICATIONS								
Input								
AC rated input voltage	3Φ 380 ÷ 415 Vac	3Φ 380 ÷ 415 Vac	3Φ 380 ÷ 415 Vac	3Φ 380 ÷ 415 Vac	3Φ 380 ÷ 415 Vac	3Φ 380 ÷ 415 Vac	3Φ 380 ÷ 415 Vac	3Φ 380 ÷ 415 Vac
Maximum AC input current	3Φ 130A	3Φ 174A	3Φ 217A	3Φ 260A	3Φ 130A	3Φ 174A	3Φ 217A	3Φ 260A
Output								
Output voltage range	CCS2: 150 ÷ 950 Vdc	CCS2: 150 ÷ 950 Vdc	CCS2: 150 ÷ 950 Vdc	CCS2: 150 ÷ 950 Vdc	CCS2: 150 ÷ 950 Vdc CHAdeMO: 150 ÷ 500 Vdc	CCS2: 150 ÷ 950 Vdc CHAdeMO: 150 ÷ 500 Vdc	CCS2: 150 ÷ 950 Vdc CHAdeMO: 150 ÷ 500 Vdc	CCS2: 150 ÷ 950 Vdc CHAdeMO: 150 ÷ 500 Vdc
Maximum output current	CCS2: 200A (peak 250A)	CCS2: 200A (peak 250A)	CCS2: 200A (peak 250A)	CCS2: 200A (peak 250A)	CCS2: 200A (peak 250A) CHAdeMO: 120A	CCS2: 200A (peak 250A) CHAdeMO: 120A	CCS2: 200A (peak 250A) CHAdeMO: 120A	CCS2: 200A (peak 250A) CHAdeMO: 120A
Maximum output power	90 kW	120 kW	150 kW	180 kW	90 kW	120 kW	150 kW	180 kW
Power factor	> 0.99	> 0.99	> 0.99	> 0.99	> 0.99	> 0.99	> 0.99	> 0.99
PROTECTIONS								
Incoming protection	OVP, OPP, OTP, UVP, SPD	OVP, OPP, OTP, UVP, SPD	OVP, OPP, OTP, UVP, SPD	OVP, OPP, OTP, UVP, SPD	OVP, OPP, OTP, UVP, SPD	OVP, OPP, OTP, UVP, SPD	OVP, OPP, OTP, UVP, SPD	OVP, OPP, OTP, UVP, SPD
Outbound protection	SCP, OCP, OVP, LVP, OTP, IMD	SCP, OCP, OVP, LVP, OTP, IMD	SCP, OCP, OVP, LVP, OTP, IMD	SCP, OCP, OVP, LVP, OTP, IMD	SCP, OCP, OVP, LVP, OTP, IMD	SCP, OCP, OVP, LVP, OTP, IMD	SCP, OCP, OVP, LVP, OTP, IMD	SCP, OCP, OVP, LVP, OTP, IMD
Energy Metering	Yes, MID AC Meter and integrated DC Meter	Yes, MID AC Meter and integrated DC Meter	Yes, MID AC Meter and integrated DC Meter	Yes, MID AC Meter and integrated DC Meter	Yes, MID AC Meter and integrated DC Meter	Yes, MID AC Meter and integrated DC Meter	Yes, MID AC Meter and integrated DC Meter	Yes, MID AC Meter and integrated DC Meter
FUNCTIONAL FEATURES								
Connectivity	Ethernet, WiFi and 4G	Ethernet, WiFi and 4G	Ethernet, WiFi and 4G	Ethernet, WiFi and 4G	Ethernet, WiFi and 4G	Ethernet, WiFi and 4G	Ethernet, WiFi and 4G	Ethernet, WiFi and 4G
Communication	CAN BUS / RS485 / OCPP 1.6J	CAN BUS / RS485 / OCPP 1.6J	CAN BUS / RS485 / OCPP 1.6J	CAN BUS / RS485 / OCPP 1.6J	CAN BUS / RS485 / OCPP 1.6J	CAN BUS / RS485 / OCPP 1.6J	CAN BUS / RS485 / OCPP 1.6J	CAN BUS / RS485 / OCPP 1.6J
Load Management	Via OCPP (Charging profile)	Via OCPP (Charging profile)	Via OCPP (Charging profile)	Via OCPP (Charging profile)	Via OCPP (Charging profile)	Via OCPP (Charging profile)	Via OCPP (Charging profile)	Via OCPP (Charging profile)
Charging Activation	Credit Card/APP	Credit Card/APP	Credit Card/APP	Credit Card/APP	Credit Card/APP	Credit Card/APP	Credit Card/APP	Credit Card/APP
Human Interface	7" graphic display	7" graphic display	7" graphic display	7" graphic display	7" graphic display	7" graphic display	7" graphic display	7" graphic display
Over-the-air updates	Yes	Yes	Yes	Yes	Yes	Yes	Yes	Yes
Contactless payments solution	Yes, Payter P66	Yes, Payter P66	Yes, Payter P66	Yes, Payter P66	Yes, Payter P66	Yes, Payter P66	Yes, Payter P66	Yes, Payter P66
Charging interface	DIN 70121, ISO15118-2	DIN 70121, ISO15118-2	DIN 70121, ISO15118-2	DIN 70121, ISO15118-2	DIN 70121, ISO15118-2	DIN 70121, ISO15118-2	DIN 70121, ISO15118-2	DIN 70121, ISO15118-2
Local directives	UK: Compliant with PAS1899:2022, subclause 5.2, Table 2, "Height range requirements" (refer to manual for more details). Compliant to Public CP Regulation 2023 regarding manufacturer requirements				UK: Compliant with PAS1899:2022, subclause 5.2, Table 2, "Height range requirements" (refer to manual for more details)			
MECHANICAL PROPERTIES								
Installation Type	Floor-mounting	Floor-mounting	Floor-mounting	Floor-mounting	Floor-mounting	Floor-mounting	Floor-mounting	Floor-mounting
Materials	Painted steel sheet	Painted steel sheet	Painted steel sheet	Painted steel sheet	Painted steel sheet	Painted steel sheet	Painted steel sheet	Painted steel sheet
Exterior colour	Chassis exterior color RAL7021	Chassis exterior color RAL7021	Chassis exterior color RAL7021	Chassis exterior color RAL7021	Chassis exterior color RAL7021	Chassis exterior color RAL7021	Chassis exterior color RAL7021	Chassis exterior color RAL7021
Surface treatment	Carbon coating on front panels	Carbon coating on front panels	Carbon coating on front panels	Carbon coating on front panels	Carbon coating on front panels	Carbon coating on front panels	Carbon coating on front panels	Carbon coating on front panels
Protection Rating	IP55	IP55	IP55	IP55	IP55	IP55	IP55	IP55
Impact Resistance Rating	IK10	IK10	IK10	IK10	IK10	IK10	IK10	IK10
Operating temperature	-25°C / +50°C	-25°C / +50°C	-25°C / +50°C	-25°C / +50°C	-25°C / +50°C	-25°C / +50°C	-25°C / +50°C	-25°C / +50°C
AVAILABLE ACCESSORIES								
RFID card	GWJ8002	GWJ8002	GWJ8002	GWJ8002	GWJ8002	GWJ8002	GWJ8002	GWJ8002
JOINON Data Micro SIM	GWJ8112	GWJ8112	GWJ8112	GWJ8112	GWJ8112	GWJ8112	GWJ8112	GWJ8112
Floor installation support	GWJ9922	GWJ9922	GWJ9922	GWJ9922	GWJ9922	GWJ9922	GWJ9922	GWJ9922
Cable management	GWJ9912	GWJ9912	GWJ9912	GWJ9912	GWJ9912	GWJ9912	GWJ9912	GWJ9912

STATIONS FOR CORPORATE OR SEMI-PUBLIC SCENARIOS



CODE	GWJ9236W	GWJ9246W	GWJ9256W	GWJ9266W	GWJ9236M	GWJ9246M	GWJ9256M	GWJ9266M
Charging mode	Mode 4	Mode 4	Mode 4	Mode 4	Mode 4	Mode 4	Mode 4	Mode 4
Charging sockets	CCS2 + GBT	CCS2 + GBT	CCS2 + GBT	CCS2 + GBT	CCS2 + GBT	CCS2 + GBT	CCS2 + GBT	CCS2 + GBT
Connector type	Mobile connector	Mobile connector	Mobile connector	Mobile connector	Mobile connector	Mobile connector	Mobile connector	Mobile connector
Cable length	4.5 m	4.5 m	4.5 m	4.5 m	4.5 m	4.5 m	4.5 m	4.5 m
ELECTRICAL SPECIFICATIONS								
Input								
AC rated input voltage	3Φ 380 ÷ 415 Vac	3Φ 380 ÷ 415 Vac	3Φ 380 ÷ 415 Vac	3Φ 380 ÷ 415 Vac	3Φ 380 ÷ 415 Vac	3Φ 380 ÷ 415 Vac	3Φ 380 ÷ 415 Vac	3Φ 380 ÷ 415 Vac
Maximum AC input current	3Φ 130A	3Φ 174A	3Φ 217A	3Φ 260A	3Φ 130A	3Φ 174A	3Φ 217A	3Φ 260A
Output								
Output voltage range	CCS2: 150 ÷ 950 Vdc GBT: 150 ÷ 750 Vdc	CCS2: 150 ÷ 950 Vdc GBT: 150 ÷ 750 Vdc	CCS2: 150 ÷ 950 Vdc GBT: 150 ÷ 750 Vdc	CCS2: 150 ÷ 950 Vdc GBT: 150 ÷ 750 Vdc	CCS2: 150 ÷ 950 Vdc GBT: 150 ÷ 750 Vdc	CCS2: 150 ÷ 950 Vdc GBT: 150 ÷ 750 Vdc	CCS2: 150 ÷ 950 Vdc GBT: 150 ÷ 750 Vdc	CCS2: 150 ÷ 950 Vdc GBT: 150 ÷ 750 Vdc
Maximum output current	CCS2: 200A (peak 250A) GBT: 120A	CCS2: 200A (peak 250A) GBT: 120A	CCS2: 200A (peak 250A) GBT: 120A	CCS2: 200A (peak 250A) GBT: 120A	CCS2: 200A (peak 250A) GBT: 120A	CCS2: 200A (peak 250A) GBT: 120A	CCS2: 200A (peak 250A) GBT: 120A	CCS2: 200A (peak 250A) GBT: 120A
Maximum output power	90 kW	120 kW	150 kW	180 kW	90 kW	120 kW	150 kW	180 kW
Power factor	> 0.99	> 0.99	> 0.99	> 0.99	> 0.99	> 0.99	> 0.99	> 0.99
PROTECTIONS								
Incoming protection	OVP, OPP, OTP, UVP, SPD	OVP, OPP, OTP, UVP, SPD	OVP, OPP, OTP, UVP, SPD	OVP, OPP, OTP, UVP, SPD	OVP, OPP, OTP, UVP, SPD	OVP, OPP, OTP, UVP, SPD	OVP, OPP, OTP, UVP, SPD	OVP, OPP, OTP, UVP, SPD
Outbound protection	SCP, OCP, OVP, LVP, OTP, IMD	SCP, OCP, OVP, LVP, OTP, IMD	SCP, OCP, OVP, LVP, OTP, IMD	SCP, OCP, OVP, LVP, OTP, IMD	SCP, OCP, OVP, LVP, OTP, IMD	SCP, OCP, OVP, LVP, OTP, IMD	SCP, OCP, OVP, LVP, OTP, IMD	SCP, OCP, OVP, LVP, OTP, IMD
Energy Metering	Yes, integrated DC Meter	Yes, integrated DC Meter	Yes, integrated DC Meter	Yes, integrated DC Meter	Yes, MID AC Meter and integrated DC Meter	Yes, MID AC Meter and integrated DC Meter	Yes, MID AC Meter and integrated DC Meter	Yes, MID AC Meter and integrated DC Meter
FUNCTIONAL FEATURES								
Connectivity	Ethernet, WiFi and 4G	Ethernet, WiFi and 4G	Ethernet, WiFi and 4G	Ethernet, WiFi and 4G	Ethernet, WiFi and 4G	Ethernet, WiFi and 4G	Ethernet, WiFi and 4G	Ethernet, WiFi and 4G
Communication	CAN BUS / RS485 / OCPP 1.6J	CAN BUS / RS485 / OCPP 1.6J	CAN BUS / RS485 / OCPP 1.6J	CAN BUS / RS485 / OCPP 1.6J	CAN BUS / RS485 / OCPP 1.6J	CAN BUS / RS485 / OCPP 1.6J	CAN BUS / RS485 / OCPP 1.6J	CAN BUS / RS485 / OCPP 1.6J
Load Management	Via OCPP (Charging profile)	Via OCPP (Charging profile)	Via OCPP (Charging profile)	Via OCPP (Charging profile)	Via OCPP (Charging profile)	Via OCPP (Charging profile)	Via OCPP (Charging profile)	Via OCPP (Charging profile)
Charging Activation	RFID/APP	RFID/APP	RFID/APP	RFID/APP	RFID/APP	RFID/APP	RFID/APP	RFID/APP
Human Interface	7" graphic display	7" graphic display	7" graphic display	7" graphic display	7" graphic display	7" graphic display	7" graphic display	7" graphic display
Over-the-air updates	Yes	Yes	Yes	Yes	Yes	Yes	Yes	Yes
Contactless payments solution	-	-	-	-	-	-	-	-
Charging interface	DIN 70121, ISO15118-2	DIN 70121, ISO15118-2	DIN 70121, ISO15118-2	DIN 70121, ISO15118-2	DIN 70121, ISO15118-2	DIN 70121, ISO15118-2	DIN 70121, ISO15118-2	DIN 70121, ISO15118-2
Local directives	-	-	-	-	-	-	-	-
MECHANICAL PROPERTIES								
Installation Type	Floor-mounting	Floor-mounting	Floor-mounting	Floor-mounting	Floor-mounting	Floor-mounting	Floor-mounting	Floor-mounting
Materials	Painted steel sheet	Painted steel sheet	Painted steel sheet	Painted steel sheet	Painted steel sheet	Painted steel sheet	Painted steel sheet	Painted steel sheet
Exterior colour	Chassis exterior color RAL7021	Chassis exterior color RAL7021	Chassis exterior color RAL7021	Chassis exterior color RAL7021	Chassis exterior color RAL7021	Chassis exterior color RAL7021	Chassis exterior color RAL7021	Chassis exterior color RAL7021
Surface treatment	Carbon coating on front panels	Carbon coating on front panels	Carbon coating on front panels	Carbon coating on front panels	Carbon coating on front panels	Carbon coating on front panels	Carbon coating on front panels	Carbon coating on front panels
Protection Rating	IP55	IP55	IP55	IP55	IP55	IP55	IP55	IP55
Impact Resistance Rating	IK10	IK10	IK10	IK10	IK10	IK10	IK10	IK10
Operating temperature	-25°C / +50°C	-25°C / +50°C	-25°C / +50°C	-25°C / +50°C	-25°C / +50°C	-25°C / +50°C	-25°C / +50°C	-25°C / +50°C
AVAILABLE ACCESSORIES								
RFID card	GWJ8002	GWJ8002	GWJ8002	GWJ8002	GWJ8002	GWJ8002	GWJ8002	GWJ8002
JOINON Data Micro SIM	GWJ8112	GWJ8112	GWJ8112	GWJ8112	GWJ8112	GWJ8112	GWJ8112	GWJ8112
Floor installation support	GWJ9922	GWJ9922	GWJ9922	GWJ9922	GWJ9922	GWJ9922	GWJ9922	GWJ9922
Cable management	GWJ9912	GWJ9912	GWJ9912	GWJ9912	GWJ9912	GWJ9912	GWJ9912	GWJ9912

STATIONS FOR SEMI-PUBLIC OR PUBLIC SCENARIOS



CODE	GWJ9236P	GWJ9246P	GWJ9256P	GWJ9266P	GWJ9236F	GWJ9246F	GWJ9256F	GWJ9266F
Charging mode	Mode 4	Mode 4	Mode 4	Mode 4	Mode 4	Mode 4	Mode 4	Mode 4
Charging sockets	CCS2 + GBT	CCS2 + GBT	CCS2 + GBT	CCS2 + GBT	CCS2 + GBT	CCS2 + GBT	CCS2 + GBT	CCS2 + GBT
Connector type	Mobile connector	Mobile connector	Mobile connector	Mobile connector	Mobile connector	Mobile connector	Mobile connector	Mobile connector
Cable length	4.5 m	4.5 m	4.5 m	4.5 m	4.5 m	4.5 m	4.5 m	4.5 m
ELECTRICAL SPECIFICATIONS								
Input								
AC rated input voltage	3Φ 380 ÷ 415 Vac	3Φ 380 ÷ 415 Vac	3Φ 380 ÷ 415 Vac	3Φ 380 ÷ 415 Vac	3Φ 380 ÷ 415 Vac	3Φ 380 ÷ 415 Vac	3Φ 380 ÷ 415 Vac	3Φ 380 ÷ 415 Vac
Maximum AC input current	3Φ 130A	3Φ 174A	3Φ 217A	3Φ 260A	3Φ 130A	3Φ 174A	3Φ 217A	3Φ 260A
Output								
Output voltage range	CCS2: 150 ÷ 950 Vdc GBT: 150 ÷ 750 Vdc	CCS2: 150 ÷ 950 Vdc GBT: 150 ÷ 750 Vdc	CCS2: 150 ÷ 950 Vdc GBT: 150 ÷ 750 Vdc	CCS2: 150 ÷ 950 Vdc GBT: 150 ÷ 750 Vdc	CCS2: 150 ÷ 950 Vdc GBT: 150 ÷ 750 Vdc	CCS2: 150 ÷ 950 Vdc GBT: 150 ÷ 750 Vdc	CCS2: 150 ÷ 950 Vdc GBT: 150 ÷ 750 Vdc	CCS2: 150 ÷ 950 Vdc GBT: 150 ÷ 750 Vdc
Maximum output current	CCS2: 200A (peak 250A) GBT: 120A	CCS2: 200A (peak 250A) GBT: 120A	CCS2: 200A (peak 250A) GBT: 120A	CCS2: 200A (peak 250A) GBT: 120A	CCS2: 200A (peak 250A) GBT: 120A	CCS2: 200A (peak 250A) GBT: 120A	CCS2: 200A (peak 250A) GBT: 120A	CCS2: 200A (peak 250A) GBT: 120A
Maximum output power	90 kW	120 kW	150 kW	180 kW	90 kW	120 kW	150 kW	180 kW
Power factor	> 0.99	> 0.99	> 0.99	> 0.99	> 0.99	> 0.99	> 0.99	> 0.99
PROTECTIONS								
Incoming protection	OVP, OPP, OTP, UVP, SPD	OVP, OPP, OTP, UVP, SPD	OVP, OPP, OTP, UVP, SPD	OVP, OPP, OTP, UVP, SPD	OVP, OPP, OTP, UVP, SPD	OVP, OPP, OTP, UVP, SPD	OVP, OPP, OTP, UVP, SPD	OVP, OPP, OTP, UVP, SPD
Outbound protection	SCP, OCP, OVP, LVP, OTP, IMD	SCP, OCP, OVP, LVP, OTP, IMD	SCP, OCP, OVP, LVP, OTP, IMD	SCP, OCP, OVP, LVP, OTP, IMD	SCP, OCP, OVP, LVP, OTP, IMD	SCP, OCP, OVP, LVP, OTP, IMD	SCP, OCP, OVP, LVP, OTP, IMD	SCP, OCP, OVP, LVP, OTP, IMD
Energy Metering	Yes, integrated DC Meter	Yes, integrated DC Meter	Yes, integrated DC Meter	Yes, integrated DC Meter	Yes, MID AC Meter and integrated DC Meter	Yes, MID AC Meter and integrated DC Meter	Yes, MID AC Meter and integrated DC Meter	Yes, MID AC Meter and integrated DC Meter
FUNCTIONAL FEATURES								
Connectivity	Ethernet, WiFi and 4G	Ethernet, WiFi and 4G	Ethernet, WiFi and 4G	Ethernet, WiFi and 4G	Ethernet, WiFi and 4G	Ethernet, WiFi and 4G	Ethernet, WiFi and 4G	Ethernet, WiFi and 4G
Communication	CAN BUS / RS485 / OCPP 1.6J	CAN BUS / RS485 / OCPP 1.6J	CAN BUS / RS485 / OCPP 1.6J	CAN BUS / RS485 / OCPP 1.6J	CAN BUS / RS485 / OCPP 1.6J	CAN BUS / RS485 / OCPP 1.6J	CAN BUS / RS485 / OCPP 1.6J	CAN BUS / RS485 / OCPP 1.6J
Load Management	Via OCPP (Charging profile)	Via OCPP (Charging profile)	Via OCPP (Charging profile)	Via OCPP (Charging profile)	Via OCPP (Charging profile)	Via OCPP (Charging profile)	Via OCPP (Charging profile)	Via OCPP (Charging profile)
Charging Activation	Credit Card/APP	Credit Card/APP	Credit Card/APP	Credit Card/APP	Credit Card/APP	Credit Card/APP	Credit Card/APP	Credit Card/APP
Human Interface	7" graphic display	7" graphic display	7" graphic display	7" graphic display	7" graphic display	7" graphic display	7" graphic display	7" graphic display
Over-the-air updates	Yes	Yes	Yes	Yes	Yes	Yes	Yes	Yes
Contactless payments solution	Yes, Payter P66	Yes, Payter P66	Yes, Payter P66	Yes, Payter P66	Yes, Payter P66	Yes, Payter P66	Yes, Payter P66	Yes, Payter P66
Charging interface	DIN 70121, ISO15118-2	DIN 70121, ISO15118-2	DIN 70121, ISO15118-2	DIN 70121, ISO15118-2	DIN 70121, ISO15118-2	DIN 70121, ISO15118-2	DIN 70121, ISO15118-2	DIN 70121, ISO15118-2
Local directives								
MECHANICAL PROPERTIES								
Installation Type	Floor-mounting	Floor-mounting	Floor-mounting	Floor-mounting	Floor-mounting	Floor-mounting	Floor-mounting	Floor-mounting
Materials	Painted steel sheet	Painted steel sheet	Painted steel sheet	Painted steel sheet	Painted steel sheet	Painted steel sheet	Painted steel sheet	Painted steel sheet
Exterior colour	Chassis exterior color RAL7021	Chassis exterior color RAL7021	Chassis exterior color RAL7021	Chassis exterior color RAL7021	Chassis exterior color RAL7021	Chassis exterior color RAL7021	Chassis exterior color RAL7021	Chassis exterior color RAL7021
Surface treatment	Carbon coating on front panels	Carbon coating on front panels	Carbon coating on front panels	Carbon coating on front panels	Carbon coating on front panels	Carbon coating on front panels	Carbon coating on front panels	Carbon coating on front panels
Protection Rating	IP55	IP55	IP55	IP55	IP55	IP55	IP55	IP55
Impact Resistance Rating	IK10	IK10	IK10	IK10	IK10	IK10	IK10	IK10
Operating temperature	-25°C / +50°C	-25°C / +50°C	-25°C / +50°C	-25°C / +50°C	-25°C / +50°C	-25°C / +50°C	-25°C / +50°C	-25°C / +50°C
AVAILABLE ACCESSORIES								
RFID card	GWJ8002	GWJ8002	GWJ8002	GWJ8002	GWJ8002	GWJ8002	GWJ8002	GWJ8002
JOINON Data Micro SIM	GWJ8112	GWJ8112	GWJ8112	GWJ8112	GWJ8112	GWJ8112	GWJ8112	GWJ8112
Floor installation support	GWJ9922	GWJ9922	GWJ9922	GWJ9922	GWJ9922	GWJ9922	GWJ9922	GWJ9922
Cable management	GWJ9912	GWJ9912	GWJ9912	GWJ9912	GWJ9912	GWJ9912	GWJ9912	GWJ9912

STATIONS FOR SEMI-PUBLIC OR PUBLIC SCENARIOS



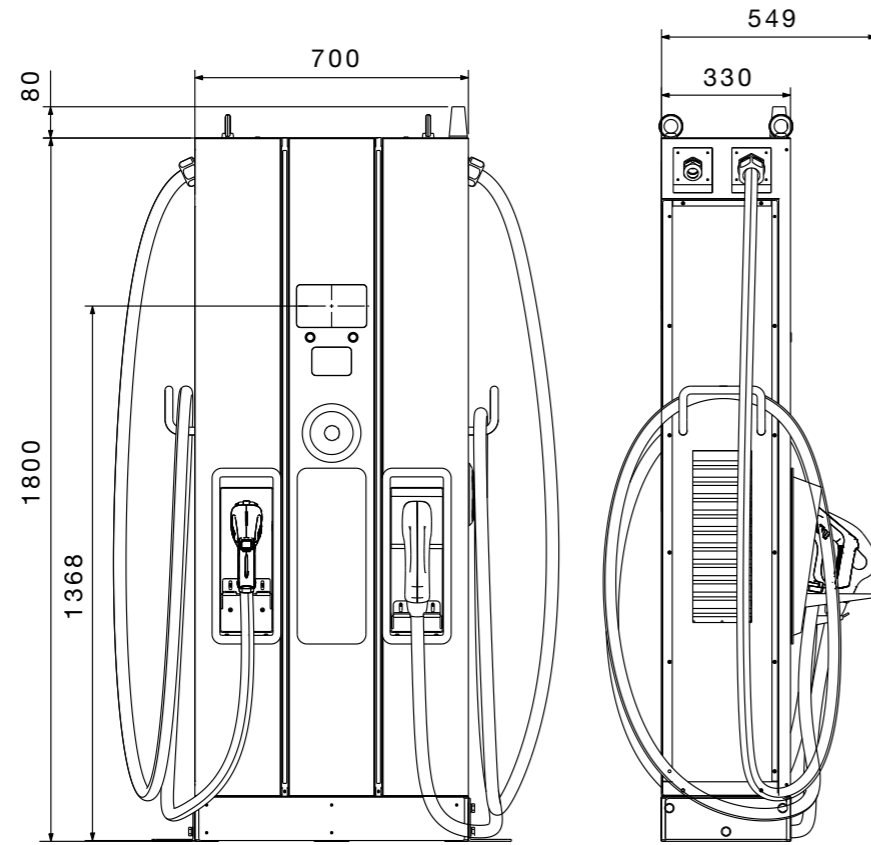
CODE	GWJ9232D	GWJ9242D	GWJ9252D	GWJ9262D	GWJ9233D	GWJ9243D	GWJ9253D	GWJ9263D
Charging mode	Mode 4	Mode 4	Mode 4	Mode 4	Mode 4	Mode 4	Mode 4	Mode 4
Charging sockets	CCS2	CCS2	CCS2	CCS2	CCS2 + CHAdeMO	CCS2 + CHAdeMO	CCS2 + CHAdeMO	CCS2 + CHAdeMO
Connector type	Mobile connector	Mobile connector	Mobile connector	Mobile connector	Mobile connector	Mobile connector	Mobile connector	Mobile connector
Cable length	4.5 m	4.5 m	4.5 m	4.5 m	4.5 m	4.5 m	4.5 m	4.5 m
ELECTRICAL SPECIFICATIONS								
Input								
AC rated input voltage	3Φ 380 ÷ 415 Vac	3Φ 380 ÷ 415 Vac	3Φ 380 ÷ 415 Vac	3Φ 380 ÷ 415 Vac	3Φ 380 ÷ 415 Vac	3Φ 380 ÷ 415 Vac	3Φ 380 ÷ 415 Vac	3Φ 380 ÷ 415 Vac
Maximum AC input current	3Φ 130A	3Φ 174A	3Φ 217A	3Φ 260A	3Φ 130A	3Φ 174A	3Φ 217A	3Φ 260A
Output								
Output voltage range	CCS2: 150 ÷ 950 Vdc	CCS2: 150 ÷ 950 Vdc	CCS2: 150 ÷ 950 Vdc	CCS2: 150 ÷ 950 Vdc	CCS2: 150 ÷ 950 Vdc CHAdeMO: 150 ÷ 500 Vdc	CCS2: 150 ÷ 950 Vdc CHAdeMO: 150 ÷ 500 Vdc	CCS2: 150 ÷ 950 Vdc CHAdeMO: 150 ÷ 500 Vdc	CCS2: 150 ÷ 950 Vdc CHAdeMO: 150 ÷ 500 Vdc
Maximum output current	CCS2: 200A (peak 250A)	CCS2: 200A (peak 250A)	CCS2: 200A (peak 250A)	CCS2: 200A (peak 250A)	CCS2: 200A (peak 250A) CHAdeMO: 120A	CCS2: 200A (peak 250A) CHAdeMO: 120A	CCS2: 200A (peak 250A) CHAdeMO: 120A	CCS2: 200A (peak 250A) CHAdeMO: 120A
Maximum output power	90 kW	120 kW	150 kW	180 kW	90 kW	120 kW	150 kW	180 kW
Power factor	> 0.99	> 0.99	> 0.99	> 0.99	> 0.99	> 0.99	> 0.99	> 0.99
PROTECTIONS								
Incoming protection	OVP, OPP, OTP, UVP, SPD	OVP, OPP, OTP, UVP, SPD	OVP, OPP, OTP, UVP, SPD	OVP, OPP, OTP, UVP, SPD	OVP, OPP, OTP, UVP, SPD	OVP, OPP, OTP, UVP, SPD	OVP, OPP, OTP, UVP, SPD	OVP, OPP, OTP, UVP, SPD
Outbound protection	SCP, OCP, OVP, LVP, OTP, IMD	SCP, OCP, OVP, LVP, OTP, IMD	SCP, OCP, OVP, LVP, OTP, IMD	SCP, OCP, OVP, LVP, OTP, IMD	SCP, OCP, OVP, LVP, OTP, IMD	SCP, OCP, OVP, LVP, OTP, IMD	SCP, OCP, OVP, LVP, OTP, IMD	SCP, OCP, OVP, LVP, OTP, IMD
Energy Metering	Yes, DC PTB Meter	Yes, DC PTB Meter	Yes, DC PTB Meter	Yes, DC PTB Meter	Yes, DC PTB Meter	Yes, DC PTB Meter	Yes, DC PTB Meter	Yes, integrated DC Meter
FUNCTIONAL FEATURES								
Connectivity	Ethernet, WiFi and 4G	Ethernet, WiFi and 4G	Ethernet, WiFi and 4G	Ethernet, WiFi and 4G	Ethernet, WiFi and 4G	Ethernet, WiFi and 4G	Ethernet, WiFi and 4G	Ethernet, WiFi and 4G
Communication	CAN BUS / RS485 / OCPP 1.6J	CAN BUS / RS485 / OCPP 1.6J	CAN BUS / RS485 / OCPP 1.6J	CAN BUS / RS485 / OCPP 1.6J	CAN BUS / RS485 / OCPP 1.6J	CAN BUS / RS485 / OCPP 1.6J	CAN BUS / RS485 / OCPP 1.6J	CAN BUS / RS485 / OCPP 1.6J
Load Management	Via OCPP (Charging profile)	Via OCPP (Charging profile)	Via OCPP (Charging profile)	Via OCPP (Charging profile)	Via OCPP (Charging profile)	Via OCPP (Charging profile)	Via OCPP (Charging profile)	Via OCPP (Charging profile)
Charging Activation	Credit Card/APP	Credit Card/APP	Credit Card/APP	Credit Card/APP	Credit Card/APP	Credit Card/APP	Credit Card/APP	Credit Card/APP
Human Interface	7" graphic display	7" graphic display	7" graphic display	7" graphic display	7" graphic display	7" graphic display	7" graphic display	7" graphic display
Over-the-air updates	Yes	Yes	Yes	Yes	Yes	Yes	Yes	Yes
Contactless payments solution	Yes, Payter P66	Yes, Payter P66	Yes, Payter P66	Yes, Payter P66	Yes, Payter P66	Yes, Payter P66	Yes, Payter P66	Yes, Payter P66
Charging interface	DIN 70121, ISO15118-2	DIN 70121, ISO15118-2	DIN 70121, ISO15118-2	DIN 70121, ISO15118-2	DIN 70121, ISO15118-2	DIN 70121, ISO15118-2	DIN 70121, ISO15118-2	DIN 70121, ISO15118-2
Local directives	Eichrecht				Eichrecht			
MECHANICAL PROPERTIES								
Installation Type	Floor-mounting	Floor-mounting	Floor-mounting	Floor-mounting	Floor-mounting	Floor-mounting	Floor-mounting	Floor-mounting
Materials	Painted steel sheet	Painted steel sheet	Painted steel sheet	Painted steel sheet	Painted steel sheet	Painted steel sheet	Painted steel sheet	Painted steel sheet
Exterior colour	Chassis exterior color RAL7021	Chassis exterior color RAL7021	Chassis exterior color RAL7021	Chassis exterior color RAL7021	Chassis exterior color RAL7021	Chassis exterior color RAL7021	Chassis exterior color RAL7021	Chassis exterior color RAL7021
Surface treatment	Carbon coating on front panels	Carbon coating on front panels	Carbon coating on front panels	Carbon coating on front panels	Carbon coating on front panels	Carbon coating on front panels	Carbon coating on front panels	Carbon coating on front panels
Protection Rating	IP55	IP55	IP55	IP55	IP55	IP55	IP55	IP55
Impact Resistance Rating	IK10	IK10	IK10	IK10	IK10	IK10	IK10	IK10
Operating temperature	-25°C / +50°C	-25°C / +50°C	-25°C / +50°C	-25°C / +50°C	-25°C / +50°C	-25°C / +50°C	-25°C / +50°C	-25°C / +50°C
AVAILABLE ACCESSORIES								
RFID card	GWJ8002	GWJ8002	GWJ8002	GWJ8002	GWJ8002	GWJ8002	GWJ8002	GWJ8002
JOINON Data Micro SIM	GWJ8112	GWJ8112	GWJ8112	GWJ8112	GWJ8112	GWJ8112	GWJ8112	GWJ8112
Floor installation support	GWJ9922	GWJ9922	GWJ9922	GWJ9922	GWJ9922	GWJ9922	GWJ9922	GWJ9922
Cable management	GWJ9912	GWJ9912	GWJ9912	GWJ9912	GWJ9912	GWJ9912	GWJ9912	GWJ9912

STATIONS FOR CORPORATE OR SEMI-PUBLIC SCENARIOS

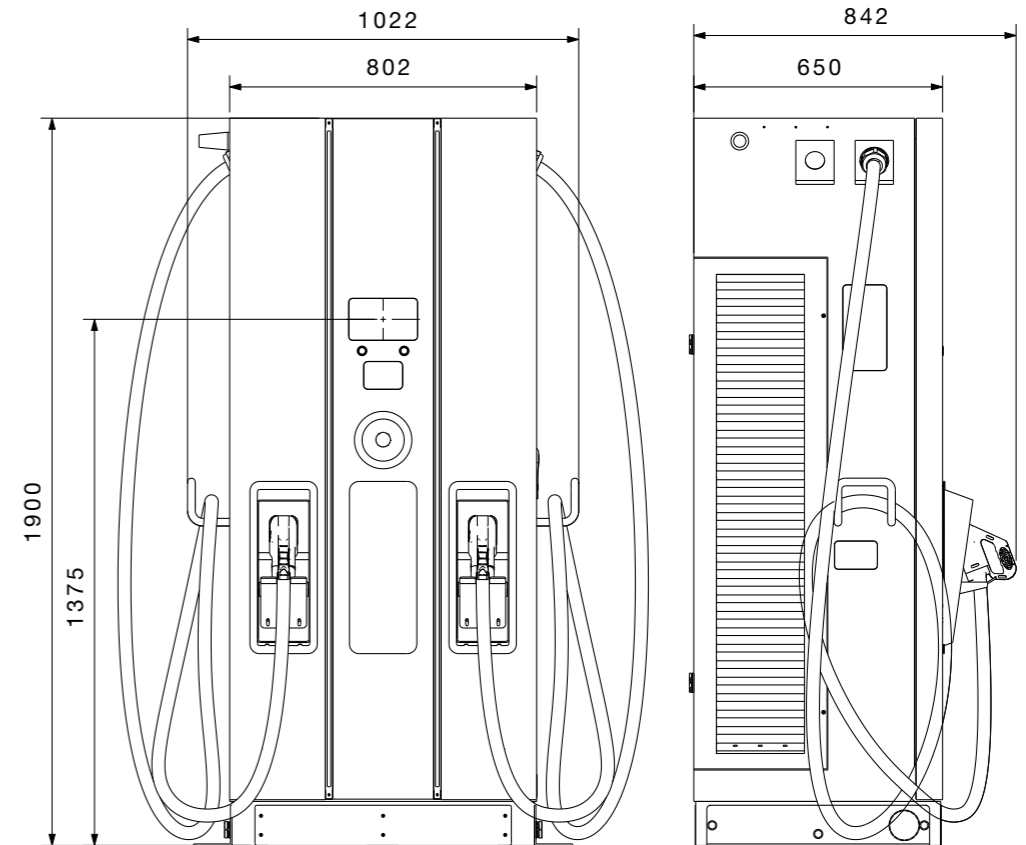


CODE	GWJ9232E	GWJ9242E	GWJ9252E	GWJ9262E	GWJ9233E	GWJ9243E	GWJ9253E	GWJ9263E
Charging mode	Mode 4	Mode 4	Mode 4	Mode 4	Mode 4	Mode 4	Mode 4	Mode 4
Charging sockets	CCS2	CCS2	CCS2	CCS2	CCS2 + CHAdeMO	CCS2 + CHAdeMO	CCS2 + CHAdeMO	CCS2 + CHAdeMO
Connector type	Mobile connector	Mobile connector	Mobile connector	Mobile connector	Mobile connector	Mobile connector	Mobile connector	Mobile connector
Cable length	4.5 m	4.5 m	4.5 m	4.5 m	4.5 m	4.5 m	4.5 m	4.5 m
ELECTRICAL SPECIFICATIONS								
Input								
AC rated input voltage	3Φ 380 ÷ 415 Vac	3Φ 380 ÷ 415 Vac	3Φ 380 ÷ 415 Vac	3Φ 380 ÷ 415 Vac	3Φ 380 ÷ 415 Vac	3Φ 380 ÷ 415 Vac	3Φ 380 ÷ 415 Vac	3Φ 380 ÷ 415 Vac
Maximum AC input current	3Φ 130A	3Φ 174A	3Φ 217A	3Φ 260A	3Φ 130A	3Φ 174A	3Φ 217A	3Φ 260A
Output								
Output voltage range	CCS2: 150 ÷ 950 Vdc	CCS2: 150 ÷ 950 Vdc	CCS2: 150 ÷ 950 Vdc	CCS2: 150 ÷ 950 Vdc	CCS2: 150 ÷ 950 Vdc CHAdeMO: 150 ÷ 500 Vdc	CCS2: 150 ÷ 950 Vdc CHAdeMO: 150 ÷ 500 Vdc	CCS2: 150 ÷ 950 Vdc CHAdeMO: 150 ÷ 500 Vdc	CCS2: 150 ÷ 950 Vdc CHAdeMO: 150 ÷ 500 Vdc
Maximum output current	CCS2: 200A (peak 250A)	CCS2: 200A (peak 250A)	CCS2: 200A (peak 250A)	CCS2: 200A (peak 250A)	CCS2: 200A (peak 250A) CHAdeMO: 120A	CCS2: 200A (peak 250A) CHAdeMO: 120A	CCS2: 200A (peak 250A) CHAdeMO: 120A	CCS2: 200A (peak 250A) CHAdeMO: 120A
Maximum output power	90 kW	120 kW	150 kW	180 kW	90 kW	120 kW	150 kW	180 kW
Power factor	> 0.99	> 0.99	> 0.99	> 0.99	> 0.99	> 0.99	> 0.99	> 0.99
PROTECTIONS								
Incoming protection	OVP, OPP, OTP, UVP, SPD	OVP, OPP, OTP, UVP, SPD	OVP, OPP, OTP, UVP, SPD	OVP, OPP, OTP, UVP, SPD	OVP, OPP, OTP, UVP, SPD	OVP, OPP, OTP, UVP, SPD	OVP, OPP, OTP, UVP, SPD	OVP, OPP, OTP, UVP, SPD
Outbound protection	SCP, OCP, OVP, LVP, OTP, IMD	SCP, OCP, OVP, LVP, OTP, IMD	SCP, OCP, OVP, LVP, OTP, IMD	SCP, OCP, OVP, LVP, OTP, IMD	SCP, OCP, OVP, LVP, OTP, IMD	SCP, OCP, OVP, LVP, OTP, IMD	SCP, OCP, OVP, LVP, OTP, IMD	SCP, OCP, OVP, LVP, OTP, IMD
Energy Metering	Yes, DC PTB Meter	Yes, DC PTB Meter	Yes, DC PTB Meter	Yes, DC PTB Meter	Yes, DC PTB Meter	Yes, DC PTB Meter	Yes, DC PTB Meter	Yes, integrated DC Meter
FUNCTIONAL FEATURES								
Connectivity	Ethernet, WiFi and 4G	Ethernet, WiFi and 4G	Ethernet, WiFi and 4G	Ethernet, WiFi and 4G	Ethernet, WiFi and 4G	Ethernet, WiFi and 4G	Ethernet, WiFi and 4G	Ethernet, WiFi and 4G
Communication	CAN BUS / RS485 / OCPP 1.6J	CAN BUS / RS485 / OCPP 1.6J	CAN BUS / RS485 / OCPP 1.6J	CAN BUS / RS485 / OCPP 1.6J	CAN BUS / RS485 / OCPP 1.6J	CAN BUS / RS485 / OCPP 1.6J	CAN BUS / RS485 / OCPP 1.6J	CAN BUS / RS485 / OCPP 1.6J
Load Management	Via OCPP (Charging profile)	Via OCPP (Charging profile)	Via OCPP (Charging profile)	Via OCPP (Charging profile)	Via OCPP (Charging profile)	Via OCPP (Charging profile)	Via OCPP (Charging profile)	Via OCPP (Charging profile)
Charging Activation	RFID/APP	RFID/APP	RFID/APP	RFID/APP	RFID/APP	RFID/APP	RFID/APP	RFID/APP
Human Interface	7" graphic display	7" graphic display	7" graphic display	7" graphic display	7" graphic display	7" graphic display	7" graphic display	7" graphic display
Over-the-air updates	Yes	Yes	Yes	Yes	Yes	Yes	Yes	Yes
Contactless payments solution	-	-	-	-	-	-	-	-
Charging interface	DIN 70121, ISO15118-2	DIN 70121, ISO15118-2	DIN 70121, ISO15118-2	DIN 70121, ISO15118-2	DIN 70121, ISO15118-2	DIN 70121, ISO15118-2	DIN 70121, ISO15118-2	DIN 70121, ISO15118-2
Local directives	Eichrecht				Eichrecht			
MECHANICAL PROPERTIES								
Installation Type	Floor-mounting	Floor-mounting	Floor-mounting	Floor-mounting	Floor-mounting	Floor-mounting	Floor-mounting	Floor-mounting
Materials	Painted steel sheet	Painted steel sheet	Painted steel sheet	Painted steel sheet	Painted steel sheet	Painted steel sheet	Painted steel sheet	Painted steel sheet
Exterior colour	Chassis exterior color RAL7021	Chassis exterior color RAL7021	Chassis exterior color RAL7021	Chassis exterior color RAL7021	Chassis exterior color RAL7021	Chassis exterior color RAL7021	Chassis exterior color RAL7021	Chassis exterior color RAL7021
Surface treatment	Carbon coating on front panels	Carbon coating on front panels	Carbon coating on front panels	Carbon coating on front panels	Carbon coating on front panels	Carbon coating on front panels	Carbon coating on front panels	Carbon coating on front panels
Protection Rating	IP55	IP55	IP55	IP55	IP55	IP55	IP55	IP55
Impact Resistance Rating	IK10	IK10	IK10	IK10	IK10	IK10	IK10	IK10
Operating temperature	-25°C / +50°C	-25°C / +50°C	-25°C / +50°C	-25°C / +50°C	-25°C / +50°C	-25°C / +50°C	-25°C / +50°C	-25°C / +50°C
AVAILABLE ACCESSORIES								
RFID card	GWJ8002	GWJ8002	GWJ8002	GWJ8002	GWJ8002	GWJ8002	GWJ8002	GWJ8002
JOINON Data Micro SIM	GWJ8112	GWJ8112	GWJ8112	GWJ8112	GWJ8112	GWJ8112	GWJ8112	GWJ8112
Floor installation support	GWJ9922	GWJ9922	GWJ9922	GWJ9922	GWJ9922	GWJ9922	GWJ9922	GWJ9922
Cable management	GWJ9912	GWJ9912	GWJ9912	GWJ9912	GWJ9912	GWJ9912	GWJ9912	GWJ9912

COMPACT STATION



STATION



WALLBOX

