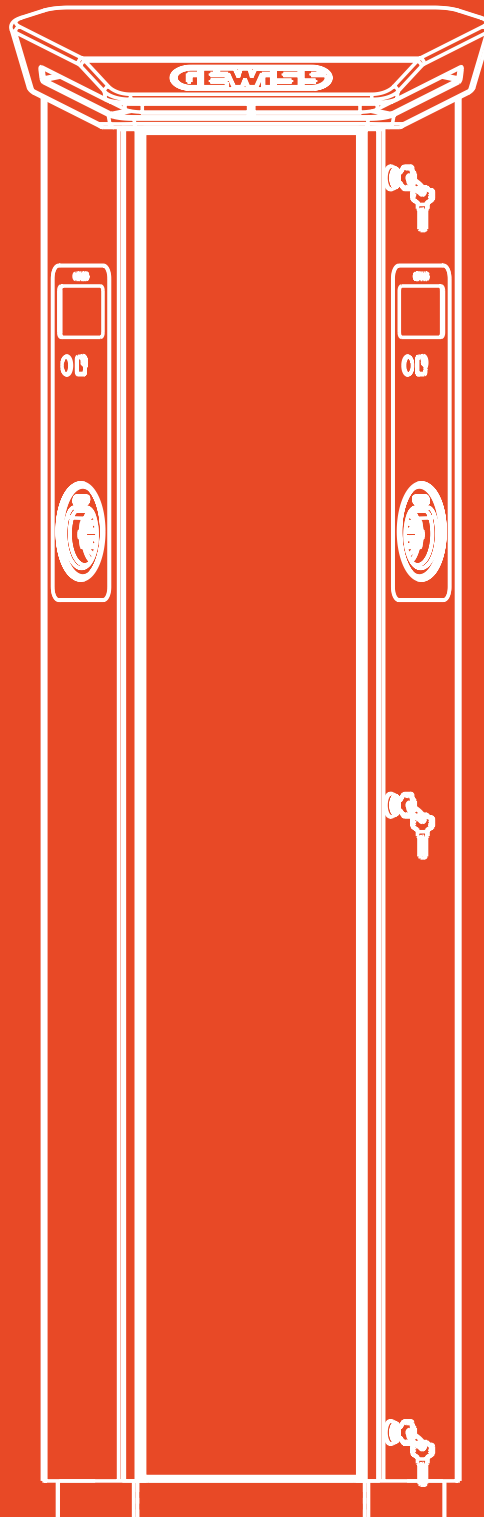


Technical specifications






WALLBOXES FOR RESIDENTIAL SCENARIOS



CODE	GWJ3412C	GWJ3413C	GWJ3414C	GWJ3402C	GWJ3404C	GWJ3402CK	GWJ3404CK	GWJ3402CF	GWJ3404CF
Charging mode	Mode 3	Mode 3	Mode 3	Mode 3	Mode 3	Mode 3	Mode 3	Mode 3	Mode 3
Charging sockets	Type 2	Type 2	Type 2	Type 2	Type 2	Type 2	Type 2	Type 2	Type 2
Connector type	Mobile connector	Mobile connector	Mobile connector	Fixed vandal-proof socket (IPxxD)	Fixed vandal-proof socket (IPxxD)	Fixed vandal-proof socket (IPxxD)	Fixed vandal-proof socket (IPxxD)	Fixed vandal-proof socket (IPxxD)	Fixed vandal-proof socket (IPxxD)
Cable length (if available)	5 m	5 m	5 m	-	-	-	-	-	-
ELECTRICAL SPECIFICATIONS									
Power supply terminal blocks	3 x 10 mm ²	5 x 10 mm ²	5 x 10 mm ²	3 x 10 mm ²	5 x 10 mm ²	3 x 16 mm ²	5 x 16 mm ²	3 x 10 mm ²	5 x 10 mm ²
Rated Voltage	230V	400V	400V	230V	400V	230V	400V	230V	400V
Total Maximum Current	32A	16A	32A	32A	32A	32A	32A	32A	32A
Maximum Power	7.4 kW	11 kW	22 kW	7.4 kW	22 kW	7.4 kW	22 kW	7.4 kW	22 kW
User protection	DC Leakage 6 mA	DC Leakage 6 mA	DC Leakage 6 mA	DC Leakage 6 mA	DC Leakage 6 mA	DC Leakage 6 mA	DC Leakage 6 mA	DC Leakage 6 mA	DC Leakage 6 mA
Energy Metering	-	-	-	-	-	-	-	-	-
FUNCTIONAL FEATURES									
Connectivity	WiFi	WiFi	WiFi	WiFi	WiFi	WiFi	WiFi	WiFi	WiFi
Communication	OCPP 1.6 J	OCPP 1.6 J	OCPP 1.6 J	OCPP 1.6 J	OCPP 1.6 J	OCPP 1.6 J	OCPP 1.6 J	OCPP 1.6 J	OCPP 1.6 J
Load Management	DLM/Solar Boost	DLM/Solar Boost	DLM/Solar Boost	DLM/Solar Boost	DLM/Solar Boost	DLM/Solar Boost	DLM/Solar Boost	DLM/Solar Boost	DLM/Solar Boost
Charging Activation	FREE/APP	FREE/APP	FREE/APP	FREE/APP	FREE/APP	FREE/APP	FREE/APP	FREE/APP	FREE/APP
Human Interface	LED	LED	LED	LED	LED	LED	LED	LED	LED
Master/Slave	-	-	-	-	-	-	-	-	-
Over-the-air updates	Yes	Yes	Yes	Yes	Yes	Yes	Yes	Yes	Yes
Programmable Remote Contact	Yes	Yes	Yes	Yes	Yes	Yes	Yes	Yes	Yes
Local directives						PEN / OZEV		TIC	
MECHANICAL PROPERTIES									
Installation Type	Wall- / Flush- / Floor-mounting	Wall- / Flush- / Floor-mounting	Wall- / Flush- / Floor-mounting	Wall- / Flush- / Floor-mounting	Wall- / Flush- / Floor-mounting	Wall- / Flush- / Floor-mounting	Wall- / Flush- / Floor-mounting	Wall- / Flush- / Floor-mounting	Wall- / Flush- / Floor-mounting
Materials	POST-INDUSTRIAL thermoplastic	POST-INDUSTRIAL thermoplastic	POST-INDUSTRIAL thermoplastic	POST-INDUSTRIAL thermoplastic	POST-INDUSTRIAL thermoplastic	POST-INDUSTRIAL thermoplastic	POST-INDUSTRIAL thermoplastic	POST-INDUSTRIAL thermoplastic	POST-INDUSTRIAL thermoplastic
Protection Rating	IP55	IP55	IP55	IP55	IP55	IP55	IP55	IP55	IP55
Impact Resistance Rating	IK11	IK11	IK11	IK11	IK11	IK11	IK11	IK11	IK11
Operating temperature	-25°C / +55°C	-25°C / +55°C	-25°C / +55°C	-25°C / +55°C	-25°C / +55°C	-25°C / +55°C	-25°C / +55°C	-25°C / +55°C	-25°C / +55°C
AVAILABLE ACCESSORIES									
CT DLM load management kit	GWJ8037 Single-phase / GWJ8038 Three-phase					GWJ8037 Single-phase / GWJ8038 Three-phase			
Flush-mounting box	GWJ8101					GWJ8101			
Single-sided floor support	GWJ8102					GWJ8102			
Double-sided floor support	GWJ8103					GWJ8103			
Protective cover	GWJ8104					GWJ8104			

WALLBOXES FOR COMPLEX RESIDENTIAL/CONDOMINIUM SCENARIOS

									
CODE	GWJ3512G	GWJ3513G	GWJ3514G	GWJ3502G	GWJ3504G	GWJ3502GK	GWJ3504GK	GWJ3502GF	GWJ3504GF
Charging mode	Mode 3	Mode 3	Mode 3	Mode 3	Mode 3	Mode 3	Mode 3	Mode 3	Mode 3
Charging sockets	Type 2	Type 2	Type 2	Type 2	Type 2	Type 2	Type 2	Type 2	Type 2
Connector type	Mobile connector	Mobile connector	Mobile connector	Fixed vandal-proof socket (IPxxD)	Fixed vandal-proof socket (IPxxD)	Fixed vandal-proof socket (IPxxD)	Fixed vandal-proof socket (IPxxD)	Fixed vandal-proof socket (IPxxD)	Fixed vandal-proof socket (IPxxD)
Cable length (if available)	5 m	5 m	5 m	-	-	-	-	-	-
ELECTRICAL SPECIFICATIONS									
Power supply terminal blocks	3 x 16 mm ²	5 x 16 mm ²	5 x 16 mm ²	3 x 16 mm ²	5 x 16 mm ²	3 x 16 mm ²	5 x 16 mm ²	3 x 16 mm ²	5 x 16 mm ²
Rated Voltage	230V	400V	400V	230V	400V	230V	400V	230V	400V
Total Maximum Current	32A	16A	32A	32A	32A	32A	32A	32A	32A
Maximum Power	7.4 kW	11 kW	22 kW	7.4 kW	22 kW	7.4 kW	22 kW	7.4 kW	22 kW
User protection	DC Leakage 6 mA	DC Leakage 6 mA	DC Leakage 6 mA	DC Leakage 6 mA	DC Leakage 6 mA	DC Leakage 6 mA	DC Leakage 6 mA	DC Leakage 6 mA	DC Leakage 6 mA
Energy Metering	-	-	-	-	-	-	-	-	-
FUNCTIONAL FEATURES									
Connectivity	WiFi/Ethernet	WiFi/Ethernet	WiFi/Ethernet	WiFi/Ethernet	WiFi/Ethernet	WiFi/Ethernet	WiFi/Ethernet	WiFi/Ethernet	WiFi/Ethernet
Communication	OCPP 1.6 J	OCPP 1.6 J	OCPP 1.6 J	OCPP 1.6 J	OCPP 1.6 J	OCPP 1.6 J	OCPP 1.6 J	OCPP 1.6 J	OCPP 1.6 J
Load Management	DLM with Solar Boost / via cloud with OCPP	DLM with Solar Boost / via cloud with OCPP	DLM with Solar Boost / via cloud with OCPP	DLM with Solar Boost / via cloud with OCPP	DLM with Solar Boost / via cloud with OCPP	DLM with Solar Boost / via cloud with OCPP	DLM with Solar Boost / via cloud with OCPP	DLM with Solar Boost / via cloud with OCPP	DLM with Solar Boost / via cloud with OCPP
Charging Activation	APP	APP	APP	APP	APP	APP	APP	APP	APP
Human Interface	LED	LED	LED	LED	LED	LED	LED	LED	LED
Master/Slave	Yes	Yes	Yes	Yes	Yes	Yes	Yes	Yes	Yes
Over-the-air updates	Yes	Yes	Yes	Yes	Yes	Yes	Yes	Yes	Yes
Programmable Remote Contact	Yes	Yes	Yes	Yes	Yes	Yes	Yes	Yes	Yes
Local directives						PEN / OZEV		TIC	
MECHANICAL PROPERTIES									
Installation Type	Wall- / Flush- / Floor-mounting	Wall- / Flush- / Floor-mounting	Wall- / Flush- / Floor-mounting	Wall- / Flush- / Floor-mounting	Wall- / Flush- / Floor-mounting	Wall- / Flush- / Floor-mounting	Wall- / Flush- / Floor-mounting	Wall- / Flush- / Floor-mounting	Wall- / Flush- / Floor-mounting
Materials	POST-INDUSTRIAL thermoplastic	POST-INDUSTRIAL thermoplastic	POST-INDUSTRIAL thermoplastic	POST-INDUSTRIAL thermoplastic	POST-INDUSTRIAL thermoplastic	POST-INDUSTRIAL thermoplastic	POST-INDUSTRIAL thermoplastic	POST-INDUSTRIAL thermoplastic	POST-INDUSTRIAL thermoplastic
Protection Rating	IP55	IP55	IP55	IP55	IP55	IP55	IP55	IP55	IP55
Impact Resistance Rating	IK11	IK11	IK11	IK11	IK11	IK11	IK11	IK11	IK11
Operating temperature	-25°C / +55°C	-25°C / +55°C	-25°C / +55°C	-25°C / +55°C	-25°C / +55°C	-25°C / +55°C	-25°C / +55°C	-25°C / +55°C	-25°C / +55°C
AVAILABLE ACCESSORIES									
CT DLM load management kit	GWJ8037 Single-phase / GWJ8038 Three-phase (GWD6809 for current above 100A)					GWJ8037 Single-phase / GWJ8038 Three-phase (GWD6809 for current above 100A)			
Flush-mounting box	GWJ8101					GWJ8101			
Single-sided floor support	GWJ8102					GWJ8102			
Double-sided floor support	GWJ8103					GWJ8103			
Protective cover	GWJ8104					GWJ8104			
4G Modem KIT	GWJ8111					GWJ8111			

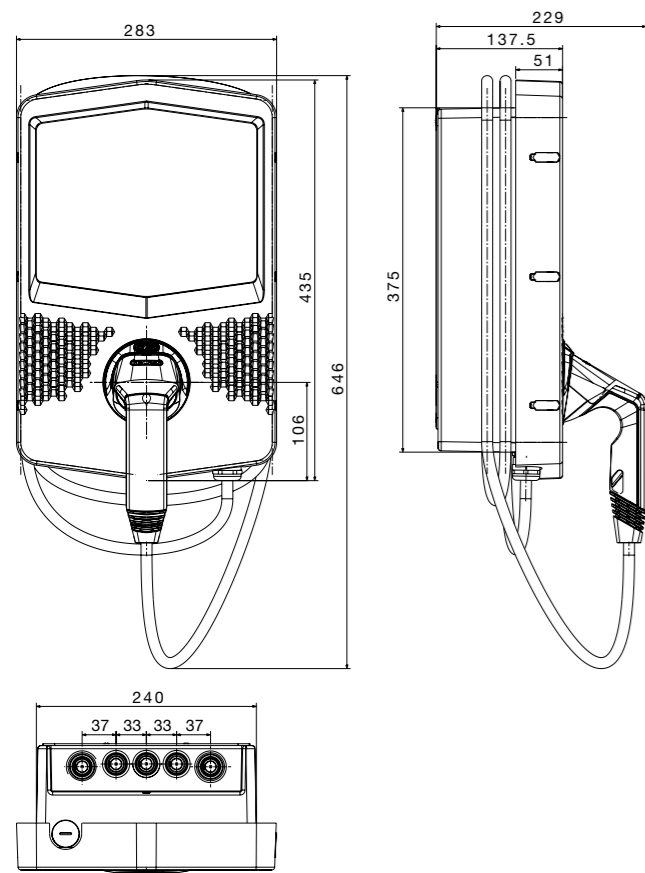
WALLBOXES FOR CORPORATE SCENARIOS

CODE	GWJ3612T	GWJ3614T	GWJ3602T	GWJ3604T	GWJ3602TK	GWJ3604TK
Charging mode	Mode 3	Mode 3	Mode 3	Mode 3	Mode 3	Mode 3
Charging sockets	Type 2	Type 2	Type 2	Type 2	Type 2	Type 2
Connector type	Mobile connector	Mobile connector	Fixed vandal-proof socket (IPxxD)	Fixed vandal-proof socket (IPxxD)	Fixed vandal-proof socket (IPxxD)	Fixed vandal-proof socket (IPxxD)
Cable length (if available)	5 m	5 m	-	-	-	-
ELECTRICAL SPECIFICATIONS						
Power supply terminal blocks	3 x 16 mm ²	5 x 16 mm ²	3 x 16 mm ²	5 x 16 mm ²	3 x 16 mm ²	5 x 16 mm ²
Rated Voltage	230V	400V	230V	400V	230V	400V
Total Maximum Current	32A	32A	32A	32A	32A	32A
Maximum Power	7.4 kW	22 kW	7.4 kW	22 kW	7.4 kW	22 kW
User protection	DC Leakage 6 mA	DC Leakage 6 mA	DC Leakage 6 mA	DC Leakage 6 mA	DC Leakage 6 mA	DC Leakage 6 mA
Energy Metering	-	-	-	-	-	-
FUNCTIONAL FEATURES						
Connectivity	WiFi/Ethernet	WiFi/Ethernet	WiFi/Ethernet	WiFi/Ethernet	WiFi/Ethernet	WiFi/Ethernet
Communication	OCPP 1.6 J	OCPP 1.6 J	OCPP 1.6 J	OCPP 1.6 J	OCPP 1.6 J	OCPP 1.6 J
Load Management	DLM with Solar Boost / via cloud with OCPP	DLM with Solar Boost / via cloud with OCPP	DLM with Solar Boost / via cloud with OCPP	DLM with Solar Boost / via cloud with OCPP	DLM with Solar Boost / via cloud with OCPP	DLM with Solar Boost / via cloud with OCPP
Charging Activation	APP/RFID	APP/RFID	APP/RFID	APP/RFID	APP/RFID	APP/RFID
Human Interface	LED	LED	LED	LED	LED	LED
Master/Slave	Yes	Yes	Yes	Yes	Yes	Yes
Over-the-air updates	Yes	Yes	Yes	Yes	Yes	Yes
Programmable Remote Contact	Yes	Yes	Yes	Yes	Yes	Yes
Local directives	-			PEN / OZEV		
MECHANICAL PROPERTIES						
Installation Type	Wall- / Flush- / Floor-mounting	Wall- / Flush- / Floor-mounting	Wall- / Flush- / Floor-mounting	Wall- / Flush- / Floor-mounting	Wall- / Flush- / Floor-mounting	Wall- / Flush- / Floor-mounting
Materials	POST-INDUSTRIAL thermoplastic	POST-INDUSTRIAL thermoplastic	POST-INDUSTRIAL thermoplastic	POST-INDUSTRIAL thermoplastic	POST-INDUSTRIAL thermoplastic	POST-INDUSTRIAL thermoplastic
Protection Rating	IP55	IP55	IP55	IP55	IP55	IP55
Impact Resistance Rating	IK11	IK11	IK11	IK11	IK11	IK11
Operating temperature	-25°C / +55°C	-25°C / +55°C	-25°C / +55°C	-25°C / +55°C	-25°C / +55°C	-25°C / +55°C
AVAILABLE ACCESSORIES						
DLM CT enterprise installation kit	GWJ8037 Single-phase / GWJ8038 Three-phase (GWD6809 for current above 100A)					
Flush-mounting box	GWJ8101					
Single-sided floor support	GWJ8102					
Double-sided floor support	GWJ8103					
Protective cover	GWJ8104					
RFID card	GWJ8002					
4G Modem KIT	GWJ8111					

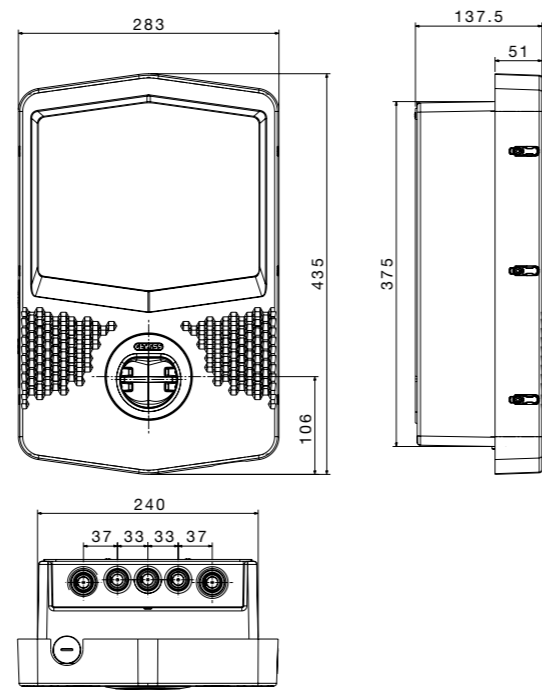
WALLBOXES FOR SEMI-PUBLIC SCENARIOS

CODE	GWJ3712T	GWJ3714T	GWJ3702T	GWJ3704T	GWJ3704TK	GWJ3702TF	GWJ3704TF	
Charging mode	Mode 3	Mode 3	Mode 3	Mode 3	Mode 3	Mode 3	Mode 3	
Charging sockets	Type 2	Type 2	Type 2	Type 2	Type 2	Type 2	Type 2	
Connector type	Mobile connector	Mobile connector	Fixed vandal-proof socket (IPxxD)	Fixed vandal-proof socket (IPxxD)	Fixed vandal-proof socket (IPxxD)	Fixed vandal-proof socket (IPxxD)	Fixed vandal-proof socket (IPxxD)	
Cable length (if available)	5 m	5 m	-	-	-	-	-	
ELECTRICAL SPECIFICATIONS								
Power supply terminal blocks	3 x 16 mm ²	5 x 16 mm ²	3 x 16 mm ²	5 x 16 mm ²	5 x 16 mm ²	3 x 16 mm ²	5 x 16 mm ²	
Rated Voltage	230V	400V	230V	400V	400V	230V	400V	
Total Maximum Current	32A	32A	32A	32A	32A	32A	32A	
Maximum Power	7.4 kW	22 kW	7.4 kW	22 kW	22 kW	7.4 kW	22 kW	
User protection	DC Leakage 6 mA	DC Leakage 6 mA	DC Leakage 6 mA	DC Leakage 6 mA	DC Leakage 6 mA	DC Leakage 6 mA	DC Leakage 6 mA	
Energy Metering	MID meter	MID meter	MID meter	MID meter	MID meter	MID meter	MID meter	
FUNCTIONAL FEATURES								
Connectivity	WiFi/Ethernet	WiFi/Ethernet	WiFi/Ethernet	WiFi/Ethernet	WiFi/Ethernet	WiFi/Ethernet	WiFi/Ethernet	
Communication	OCPP 1.6 J	OCPP 1.6 J	OCPP 1.6 J	OCPP 1.6 J	OCPP 1.6 J	OCPP 1.6 J	OCPP 1.6 J	
Load Management	DLM with Solar Boost / via cloud with OCPP	DLM with Solar Boost / via cloud with OCPP	DLM with Solar Boost / via cloud with OCPP	DLM with Solar Boost / via cloud with OCPP	DLM with Solar Boost / via cloud with OCPP	DLM with Solar Boost / via cloud with OCPP	DLM with Solar Boost / via cloud with OCPP	
Charging Activation	APP/RFID	APP/RFID	APP/RFID	APP/RFID	APP/RFID	APP/RFID	APP/RFID	
Human Interface	LED	LED	LED	LED	LED	LED	LED	
Master/Slave	Yes	Yes	Yes	Yes	Yes	Yes	Yes	
Over-the-air updates	Yes	Yes	Yes	Yes	Yes	Yes	Yes	
Programmable Remote Contact	Yes	Yes	Yes	Yes	Yes	Yes	Yes	
Local directives	-				PEN / OZEV		TIC	
MECHANICAL PROPERTIES								
Installation Type	Wall- / Flush- / Floor-mounting	Wall- / Flush- / Floor-mounting	Wall- / Flush- / Floor-mounting	Wall- / Flush- / Floor-mounting	Wall- / Flush- / Floor-mounting	Wall- / Flush- / Floor-mounting	Wall- / Flush- / Floor-mounting	
Materials	POST-INDUSTRIAL thermoplastic	POST-INDUSTRIAL thermoplastic	POST-INDUSTRIAL thermoplastic	POST-INDUSTRIAL thermoplastic	POST-INDUSTRIAL thermoplastic	POST-INDUSTRIAL thermoplastic	POST-INDUSTRIAL thermoplastic	
Protection Rating	IP55	IP55	IP55	IP55	IP55	IP55	IP55	
Impact Resistance Rating	IK11	IK11	IK11	IK11	IK11	IK11	IK11	
Operating temperature	-25°C / +55°C	-25°C / +55°C	-25°C / +55°C	-25°C / +55°C	-25°C / +55°C	-25°C / +55°C	-25°C / +55°C	
AVAILABLE ACCESSORIES								
CT DLM load management kit	GWJ8037 Single-phase / GWJ8038 Three-phase (GWD6809 for current above 100A)							
Flush-mounting box	GWJ8101							
Single-sided floor support	GWJ8102							
Double-sided floor support	GWJ8103							
Protective cover	GWJ8104							
RFID card	GWJ8002							
4G Modem KIT	GWJ8111							

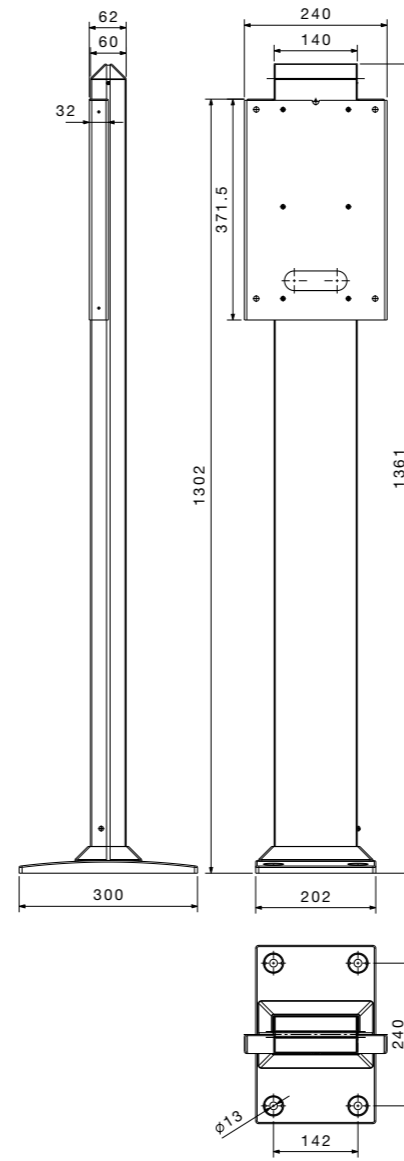
WITH MOBILE CONNECTOR



WITH FIXED SOCKET

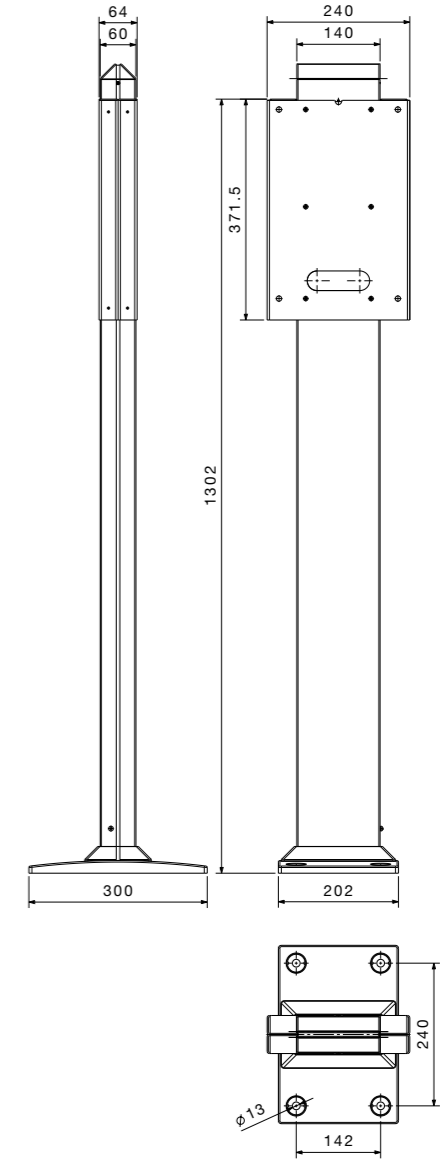


FLOOR SUPPORT - SINGLE-SIDED



GWJ8102

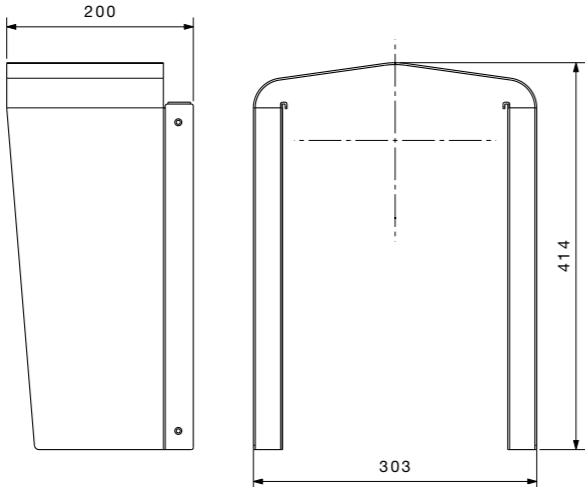
FLOOR SUPPORT - DOUBLE-SIDED



GWJ8103

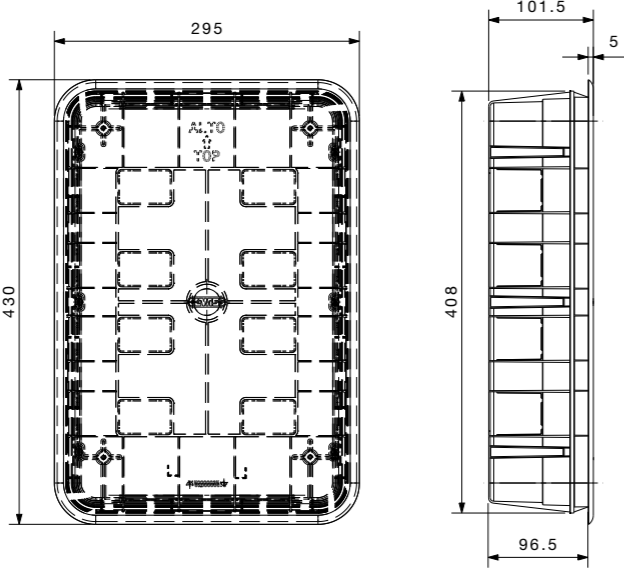
I-CON EVO ACCESSORIES

PROTECTION SUPPORT



GWJ8104

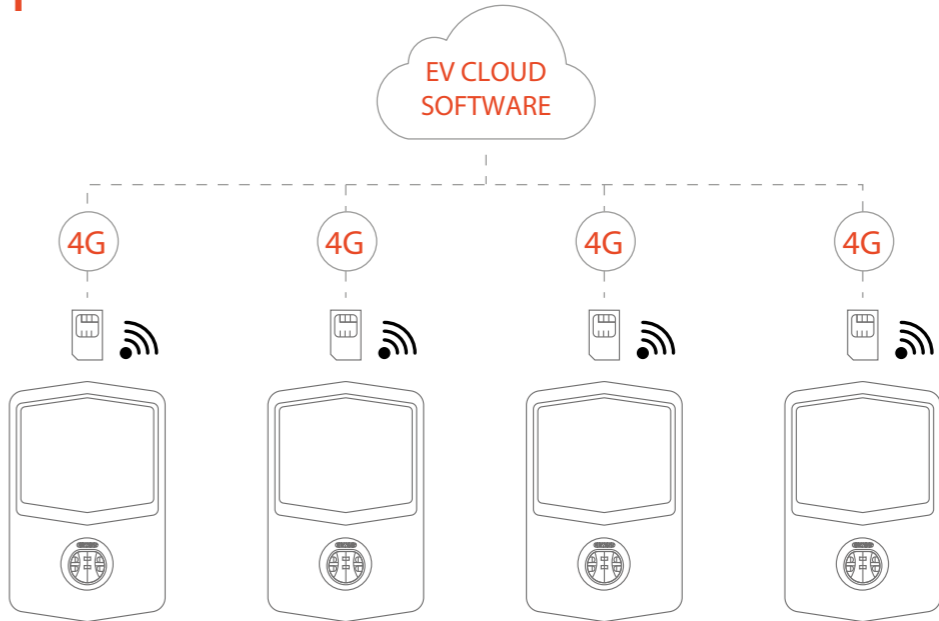
FLUSH-MOUNTING BOX



GWJ8101

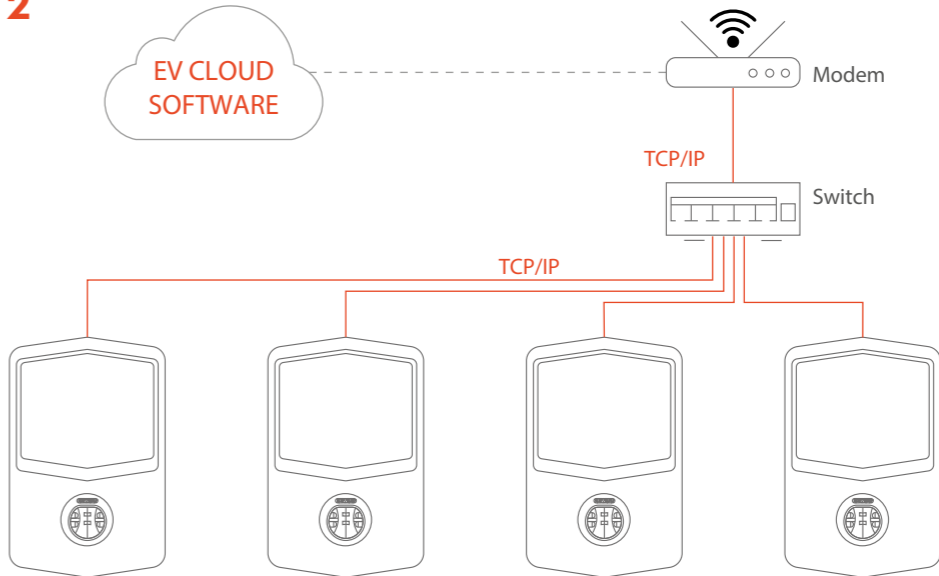
BACKEND CONNECTION SCHEME

EXAMPLE 1



The charging stations can be equipped with a 4G Modem Kit and communicate “Peer To Peer” with the communication backend via the OCPP 1.6 JSON protocol.

EXAMPLE 2



The charging stations that include controlled access have Ethernet ports and can be wired to a switch in a star topology. Connectivity takes place through a router available in the system.