

Installation



GEWISS

70 RT HP
Energy and safety.
Everytime and everywhere.



ENERGY AND SAFETY. EVERYTIME AND EVERYWHERE.

70 RT HP

70 RT HP is a complete offer of **rotary isolator switches** from 16A to 160A, available in **boxes both in insulating material and metal**, in control or emergency versions, compatible with the main applications for residential, tertiary and industrial contexts. DC versions for photovoltaic applications are also available from 16A to 40A in insulating box. The series is completed with **versions for board** from 16A to 800A and for **DIN rail fixing** from 16A to 63A, which can be equipped with auxiliary contacts. The devices have been designed to **reduce wiring time**, facilitate installation and **guarantee the maximum safety and robustness** even in the most demanding conditions.

Applications:

- Air conditioning system
- Lifts
- Photovoltaic applications
- Ventilation and vacuum system
- Technical rooms
- Industrial kitchens

PERFORMANCE

The switches of the 70 RT HP Series grant high performances thanks to the use of materials with a protection degree of IP66/IP67/IP69 and the optimization of wiring and installation times.

RELIABILITY

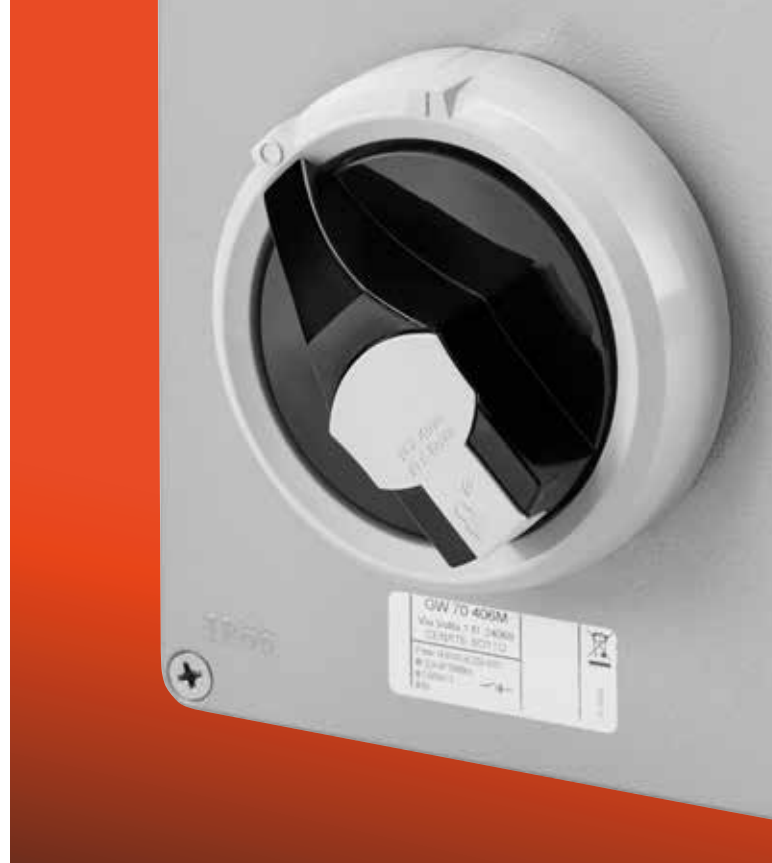
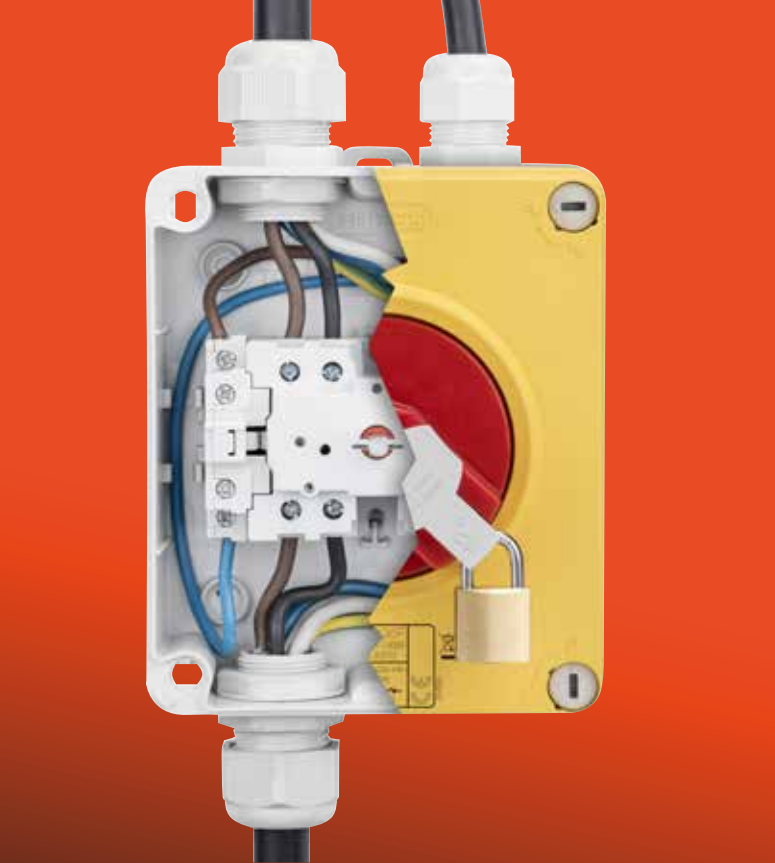
The heart of the offer is represented by the rotary switch disconnecter, which grants a complete reliability in insulating an electrical line/network. Designed to provide high electrical performances, the switch can operate with highly inductive motors (AC23A utilization category).

SAFETY

The knobs of the 70 RT HP Series have been designed to resist even strong mechanical stresses. The innovative padlocking system, concealed within the switches, can only be operated using a tool, with space for up to 3 padlocks which can be locked in both ON and OFF positions (in the emergency version the switch can only be locked in the OFF position).

VERSATILITY

As well as surface-mounted versions, 70 RT HP is also available in a version for distribution boards: either front-panel installation or DIN rail assembly (EN50022). In this way, the products of the range are extremely flexible, as they can also be installed in all GEWISS distribution boards.



Versions in insulating box

TOTAL PROTECTION

The rotary isolators in plastic boxes have a protection degrees up to IP66/IP67/IP69, which guarantee a total protection of the products against dust and liquids, even in the case of high pressure and high temperature water jets. For this reason, 70 RT HP isolators are particularly suitable even in the most demanding environments.

QUICK ASSEMBLY

The front part of the 16-80A versions up to 4P is fixed with just 4 captive and lead sealable screws with a ¼ turn: a simple and innovative system which allows the front to be fixed or removed in a considerably reduced time, compared to any other system available on the market.

EASY INSTALLATION

There are many technical features to make the installation and the wiring easier: double metric entries (on the upper and lower sides), external points for wall fixing and a large internal space for routing the cables.

Versions in metal box

ROBUST AND RELIABLE

The metal box versions with protection up to IP66 are made in painted aluminium alloy, which offers high levels of performance over time, even in the most critical and heavy-duty conditions.

READY FOR USE

The metal box is pre-equipped with 4 external brackets for surface-mounting, maintaining the original IP rating even after installation. The bottom of the versions up to 80A is also supplied already drilled, ready to accept metric-pitch cable glands.

ATEX VERSIONS

The range is completed with the ATEX versions from 16A to 100A, compliant with Directive 2014/34/UE (which defines and regulates electrical systems in environments with potentially explosive atmospheres). The products of the range are available for 22D zones and complete the offer of GEWISS branded ATEX devices, which also includes control devices, junction boxes and lighting equipment.



DC versions for photovoltaic applications

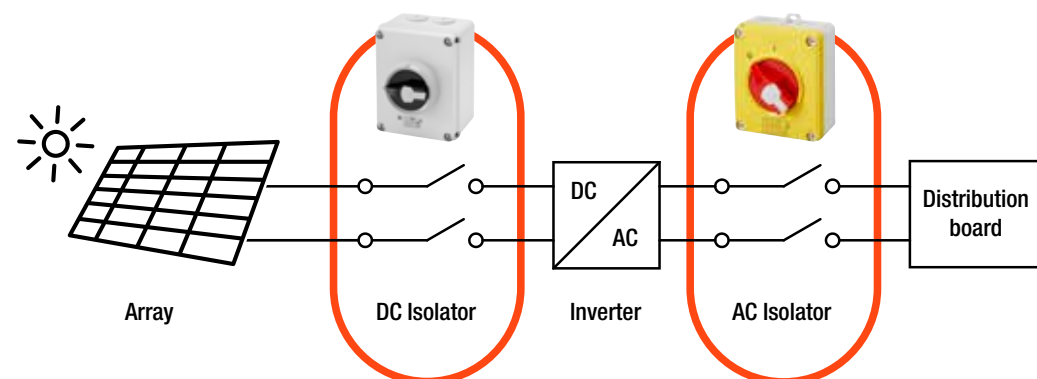
HIGH PERFORMANCE

The direct current isolators of the 70 RT HP Series are available from 16A to 40A in a plastic box. They guarantee a high breaking capacity up to 1.000 VDC while maintaining the rated operational current. Compliant with EN 60947-3 and CEI EN 60947-3:2021 (Annex D) standards for photovoltaic applications.

TOTAL PROTECTION

The isolators for photovoltaic applications are equipped of a plastic box with an IP66/IP67/IP69 degrees of protection, which guarantees total protection against dust and liquids, even in the case of high pressure and high temperatures water jets.

EXAMPLE OF PV APPLICATION



Versions for board

COMPLETE RANGE

The isolator switches for boards guarantee robustness and reliability in controlling and disconnecting circuits up to 800A. The offer is completed with the versions for DIN rail fixing from 16A to 63A.

HIGH PERFORMANCE

The versions from 200A to 800A offer a high disconnection capacity maintaining the rated current up to 500V. Thanks to the transparent window on each poles, it is clearly visible if the switch is open or closed, even from a distance.

ACCESSORIABILITY

The handles feature an integrated padlockable locking mechanism. The range is also equipped with auxiliary contacts suitable for every need. It is also possible to customize the adjustment range by cutting the supplied shaft.

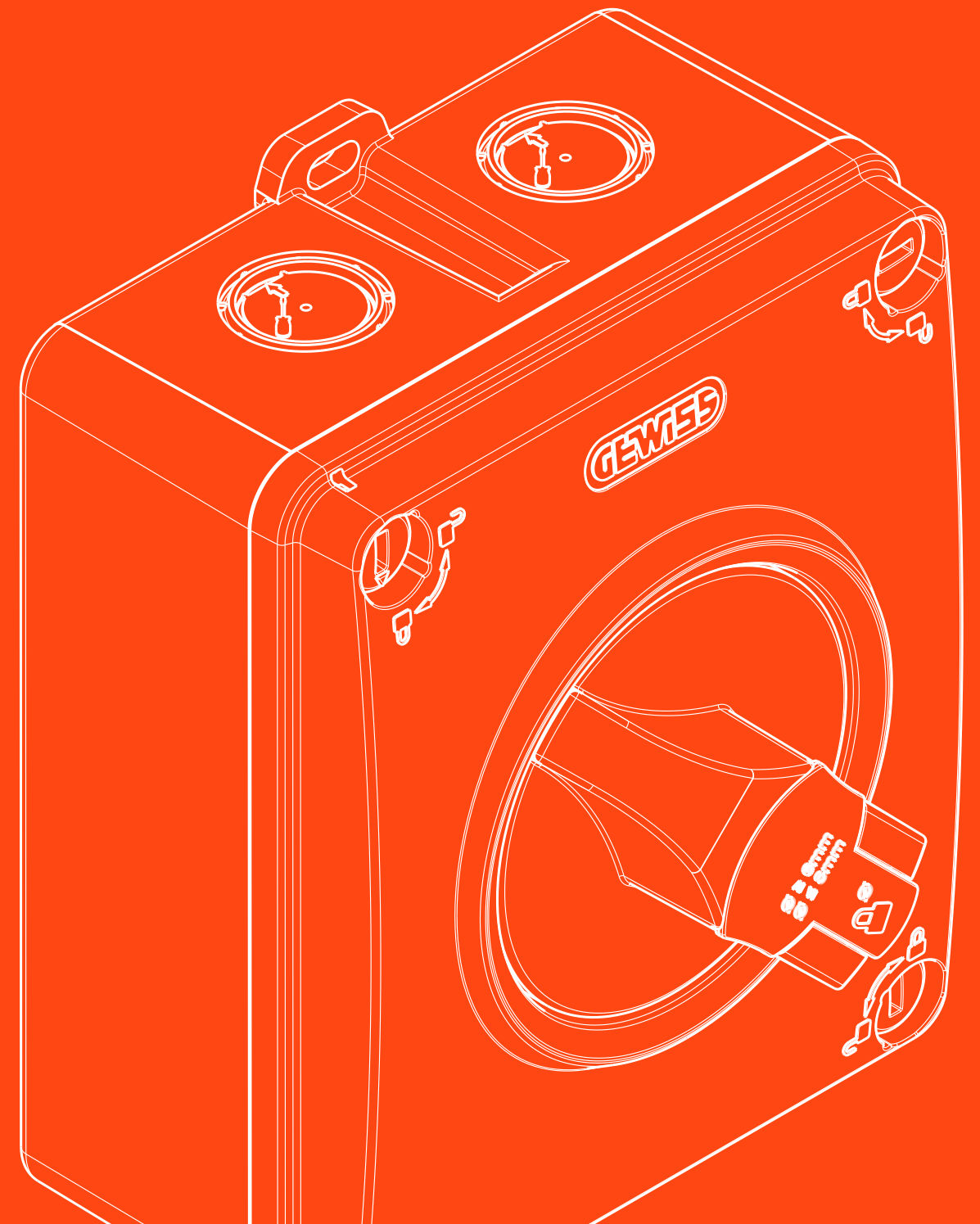
		ROTARY ISOLATOR SWITCHES - 70 RT HP						ROTARY ISOLATOR SWITCHES - 70 RT HP							
In	POLES	VERSIONS IN PLASTIC BOX				VERSIONS IN METAL BOX		VERSIONS IN METAL BOX		AUXILIARY CONTACTS			DC VERSIONS FOR PHOTOVOLTAIC APPLICATIONS	ATEX VERSIONS IN METAL BOX	
		CONTROL	CONTROL	EMERGENCY	EMERGENCY	CONTROL	CONTROL	EMERGENCY	EMERGENCY	1NO + 1NC	2NO	2NC	Dim: 153,6 x 200,6 x 117 mm	CONTROL	EMERGENCY
		Dim: 125 x 150 x 75,5 mm	Dim: 153,6 x 200,6 x 117 mm	Dim: 125 x 150 x 75,5 mm	Dim: 153,6 x 200,6 x 117 mm	Dim: 140 x 165 x 64 mm	Dim: 200 x 230 x 110 mm	Dim: 140 x 165 x 64 mm	Dim: 200 x 230 x 110 mm	1NO + 1NC	2NO	2NC	Dim: 153,6 x 200,6 x 117 mm	Dim: 140 x 165 x 63 mm	Dim: 140 x 165 x 63 mm
16A	2P	GW 70 401 P		GW 70 431 P		GW 70 401 M		GW 70 431 M					GW 70 231	GW 70 451	GW 70 471
	3P	GW 70 402 P		GW 70 432 P		GW 70 402 M		GW 70 432 M						GW 70 452	GW 70 472
	3P+N	GW 70 402 NP		GW 70 432 NP		GW 70 402 NM		GW 70 432 NM		GW 70 026	GW 70 027	GW 70 028			
	4P	GW 70 403 P		GW 70 433 P		GW 70 403 M		GW 70 433 M						GW 70 453	GW 70 473
	6P		GW 70 601 P		GW 70 641 P		GW 70 701 M								
	8P		GW 70 621 P		GW 70 661 P		GW 70 721 M		GW 70 741 M	GW 70 761 M	GW 70 029				
25A	2P	GW 70 416 P		GW 70 486 P		GW 70 416 M		GW 70 486 M					GW 70 235		
	3P	GW 70 417 P		GW 70 487 P		GW 70 417 M		GW 70 487 M							
	3P+N	GW 70 417 NP		GW 70 487 NP		GW 70 417 NM		GW 70 487 NM		GW 70 026	GW 70 027	GW 70 028			
	4P	GW 70 418 P		GW 70 488 P		GW 70 418 M		GW 70 488 M							
	6P		GW 70 602 P		GW 70 642 P		GW 70 702 M								
	8P		GW 70 622 P		GW 70 662 P		GW 70 722 M		GW 70 742 M	GW 70 762 M	GW 70 029				
32A	2P	GW 70 404 P		GW 70 434 P		GW 70 404 M		GW 70 434 M						GW 70 454	GW 70 474
	3P	GW 70 405 P		GW 70 435 P		GW 70 405 M		GW 70 435 M					GW 70 238	GW 70 455	GW 70 475
	3P+N	GW 70 405 NP		GW 70 435 NP		GW 70 405 NM		GW 70 435 NM		GW 70 026	GW 70 027	GW 70 028			
	4P	GW 70 406 P		GW 70 436 P		GW 70 406 M		GW 70 436 M					GW 70 239	GW 70 456	GW 70 476
	6P		GW 70 603 P		GW 70 643 P		GW 70 703 M								
	8P		GW 70 623 P		GW 70 663 P		GW 70 723 M		GW 70 743 M	GW 70 763 M	GW 70 029				
40A	2P	GW 70 413 P		GW 70 441 P		GW 70 413 M		GW 70 441 M					GW 70 241		
	3P	GW 70 414 P		GW 70 442 P		GW 70 414 M		GW 70 442 M							
	3P+N	GW 70 414 NP		GW 70 442 NP		GW 70 414 NM		GW 70 442 NM		GW 70 026	GW 70 027	GW 70 028			
	4P	GW 70 415 P		GW 70 443 P		GW 70 415 M		GW 70 443 M					GW 70 242		
	6P		GW 70 604 P		GW 70 644 P		GW 70 704 M								
	8P		GW 70 624 P		GW 70 664 P		GW 70 724 M		GW 70 744 M	GW 70 764 M	GW 70 029				
		Dim: 156 x 200 x 95 mm	236,5 x 315,5 x 178 mm	Dim: 156 x 200 x 95 mm	Dim: 236,5 x 315,5 x 178 mm	Dim: 215 x 252 x 91 mm	Dim: 257 x 307 x 121 mm	Dim: 215 x 252 x 91 mm	257 x 307 x 121 mm	1NO + 1NC	2NA	2NC		Dim: 215 x 252 x 91 mm	Dim: 215 x 252 x 91 mm
63A	3P	GW 70 407 P		GW 70 437 P		GW 70 407 M		GW 70 437 M					GW 70 457	GW 70 477	
	3P+N	GW 70 407 NP		GW 70 437 NP		GW 70 407 NM		GW 70 437 NM		GW 70 026	GW 70 027	GW 70 028			
	4P	GW 70 408 P		GW 70 438 P		GW 70 408 M		GW 70 438 M					GW 70 458	GW 70 478	
	6P		GW 70 605 P		GW 70 645 P		GW 70 705 M								
80A	3P	GW 70 419 P		GW 70 489 P		GW 70 419 M		GW 70 489 M							
	3P+N	GW 70 419 NP		GW 70 489 NP		GW 70 419 NM		GW 70 489 NM		GW 70 026	GW 70 027	GW 70 028			
	4P	GW 70 420 P		GW 70 490 P		GW 70 420 M		GW 70 490 M							
		Dim: 236,5 x 316 x 178 mm	Dim: 236,5 x 316 x 178 mm	Dim: 236,5 x 316 x 178 mm	Dim: 236,5 x 316 x 178 mm	Dim: 307 x 257 x 121 mm	Dim: 307 x 257 x 121 mm	Dim: 307 x 257 x 121 mm	Dim: 307 x 257 x 121 mm	1NO + 1NC	2NA	2NC		Dim: 307 x 257 x 120 mm	Dim: 307 x 257 x 120 mm
100A	3P	GW 70 421 P		GW 70 491 P		GW 70 421 M		GW 70 491 M						GW 70 459	GW 70 479
	3P+N	GW 70 421 NP		GW 70 491 NP		GW 70 421 NM		GW 70 491 NM							
	4P	GW 70 422 P		GW 70 492 P		GW 70 422 M		GW 70 492 M					GW 70 460	GW 70 480	
	6P		GW 70 607 P		GW 70 647 P		GW 70 707 M								
125A	3P	GW 70 423 P		GW 70 493 P		GW 70 423 M		GW 70 493 M							
	3P+N	GW 70 423 NP		GW 70 493 NP		GW 70 423 NM		GW 70 493 NM		GW 70 029					
	4P	GW 70 424 P		GW 70 494 P		GW 70 424 M		GW 70 494 M							
160A	3P	GW 70 425 P		GW 70 495 P		GW 70 425 M		GW 70 495 M							
	3P+N	GW 70 425 NP		GW 70 495 NP		GW 70 425 NM		GW 70 495 NM							
	4P	GW 70 426 P		GW 70 496 P		GW 70 426 M		GW 70 496 M							

NOTE: the dimensions shown above refer to the external dimensions of the boxes without considering the knob.

		ROTARY ISOLATOR SWITCHES - 70 RT HP				
In	POLES	VERSIONS FOR BOARD		AUXILIARY CONTACTS		
		PANEL/DOOR MOUNTING*	DIN RAIL MOUNTING	1NO + 1NC	2NO	2NC
16A	2P	GW 70 001	GW 70 201	GW 70 026	GW 70 027	GW 70 028
	3P	GW 70 002	GW 70 202			
	4P	GW 70 003	GW 70 203			
25A	3P	GW 70 052				
	4P	GW 70 053				
32A	2P	GW 70 004	GW 70 204			
	3P	GW 70 005	GW 70 205			
40A	4P	GW 70 006	GW 70 206			
	3P	GW 70 055				
63A	4P	GW 70 007	GW 70 207			
	3P	GW 70 008	GW 70 208			
80A	4P	GW 70 059				
	3P	GW 70 061				
100A	4P	GW 70 062				
	3P	GW 70 064				
125A	4P	GW 70 065				
	3P	GW 70 067				
160A	4P	GW 70 068				

(*) Versions for panel/door mounting can be accessorized with galvanized steel extending brackets GW 70 009.

		ROTARY ISOLATOR SWITCHES - 70 RT HP					
In	POLES	PANEL/DOOR MOUNTING	AUXILIARY CONTACTS		PHASE BARRIERS	TERMINAL COVERS	SHAFTS
			1NC	1EB			
200A	3P	GW 70 070	GW 70 035	GW 70 036	GW 70 171	GW 70 181	GW 70 040
	4P	GW 70 071			GW 70 172	GW 70 182	
250A	3P	GW 70 073			GW 70 171	GW 70 181	
	4P	GW 70 074			GW 70 172	GW 70 182	
315A	3P	GW 70 076			GW 70 173	GW 70 183	
	4P	GW 70 077			GW 70 174	GW 70 184	
400A	3P	GW 70 079			GW 70 173	GW 70 183	
	4P	GW 70 080			GW 70 174	GW 70 184	
630A	3P	GW 70 085			GW 70 175	GW 70 185	
	4P	GW 70 086			GW 70 176	GW 70 186	
800A	3P	GW 70 088			GW 70 175	GW 70 185	
	4P	GW 70 089			GW 70 176	GW 70 186	



70 RT HP - SURFACE MOUNTING ROTARY ISOLATOR IN INSULATING BOX - IP66/IP67/69

CONTROL VERSIONS



GW 70 406 P

SURFACE-MOUNTING ISOLATOR - CONTROL VERSION WITH LOCKABLE BLACK KNOB - IP66/IP67/IP69

Code	No. of poles	Outer dim. LxHxD (mm)	Holes entry	Lid screws (no. and type)	Pack Carton
Rated current (A): 16					
GW 70 401 P	2P	125x150x75,5	2 x M20/25 + 2 x M20/25	4 insul. 1/4 turn	1/16
GW 70 402 P	3P	125x150x75,5	2 x M20/25 + 2 x M20/25	4 insul. 1/4 turn	1/16
GW 70 402 NP	3P+N	125x150x75,5	2 x M20/25 + 2 x M20/25	4 insul. 1/4 turn	1/16
GW 70 403 P	4P	125x150x75,5	2 x M20/25 + 2 x M20/25	4 insul. 1/4 turn	1/16
GW 70 601 P	6P	153,6x200,6x117	4xM20	4 insulation	1/4
GW 70 621 P	8P	153,6x200,6x117	4xM20	4 insulation	1/4
Rated current (A): 25					
GW 70 416 P	2P	125x150x75,5	2 x M20/25 + 2 x M20/25	4 insul. 1/4 turn	1/16
GW 70 417 P	3P	125x150x75,5	2 x M20/25 + 2 x M20/25	4 insul. 1/4 turn	1/16
GW 70 417 NP	3P+N	125x150x75,5	2 x M20/25 + 2 x M20/25	4 insul. 1/4 turn	1/16
GW 70 418 P	4P	125x150x75,5	2 x M20/25 + 2 x M20/25	4 insul. 1/4 turn	1/16
GW 70 602 P	6P	153,6x200,6x117	4xM25	4 insulation	1/4
GW 70 622 P	8P	153,6x200,6x117	4xM25	4 insulation	1/4
Rated current (A): 32					
GW 70 404 P	2P	125x150x75,5	2 x M20/25 + 2 x M20/25	4 insul. 1/4 turn	1/16
GW 70 405 P	3P	125x150x75,5	2 x M20/25 + 2 x M20/25	4 insul. 1/4 turn	1/16
GW 70 405 NP	3P+N	125x150x75,5	2 x M20/25 + 2 x M20/25	4 insul. 1/4 turn	1/16
GW 70 406 P	4P	125x150x75,5	2 x M20/25 + 2 x M20/25	4 insul. 1/4 turn	1/16
GW 70 603 P	6P	153,6x200,6x117	4xM25	4 insulation	1/4
GW 70 623 P	8P	153,6x200,6x117	4xM25	4 insulation	1/4
Rated current (A): 40					
GW 70 413 P	2P	125x150x75,5	2 x M20/25 + 2 x M20/25	4 insul. 1/4 turn	1/16
GW 70 414 P	3P	125x150x75,5	2 x M20/25 + 2 x M20/25	4 insul. 1/4 turn	1/16
GW 70 414 NP	3P+N	125x150x75,5	2 x M20/25 + 2 x M20/25	4 insul. 1/4 turn	1/16
GW 70 415 P	4P	125x150x75,5	2 x M20/25 + 2 x M20/25	4 insul. 1/4 turn	1/16
GW 70 604 P	6P	153,6x200,6x117	4xM32	4 insulation	1/4
GW 70 624 P	8P	153,6x200,6x117	4xM32	4 insulation	1/4
Rated current (A): 63					
GW 70 407 P	3P	156x200x95	2 x M25/32 + 2 x M25/32	4 insul. 1/4 turn	1/6
GW 70 407 NP	3P+N	156x200x95	2 x M25/32 + 2 x M25/32	4 insul. 1/4 turn	1/6
GW 70 408 P	4P	156x200x95	2 x M25/32 + 2 x M25/32	4 insul. 1/4 turn	1/6
GW 70 605 P	6P	236,5x315,5x178	-	4 insulation	1
GW 70 625 P	8P	236,5x315,5x178	-	4 insulation	1
Rated current (A): 80					
GW 70 419 P	3P	156x200x95	2 x M25/32 + 2 x M25/32	4 insul. 1/4 turn	1/6
GW 70 419 NP	3P+N	156x200x95	2 x M25/32 + 2 x M25/32	4 insul. 1/4 turn	1/6
GW 70 420 P	4P	156x200x95	2 x M25/32 + 2 x M25/32	4 insul. 1/4 turn	1/6
Rated current (A): 100					
GW 70 421 P	3P	236,5x316x178	-	4 insulation	1
GW 70 421 NP	3P+N	236,5x316x178	-	4 insulation	1
GW 70 422 P	4P	236,5x316x178	-	4 insulation	1
GW 70 607 P	6P	236,5x315,5x178	-	4 insulation	1
GW 70 627 P	8P	236,5x315,5x178	-	4 insulation	1
Rated current (A): 125					
GW 70 423 P	3P	236,5x316x178	-	4 insulation	1
GW 70 423 NP	3P+N	236,5x316x178	-	4 insulation	1
GW 70 424 P	4P	236,5x316x178	-	4 insulation	1
Rated current (A): 160					
GW 70 425 P	3P	236,5x316x178	-	4 insulation	1
GW 70 425 NP	3P+N	236,5x316x178	-	4 insulation	1
GW 70 426 P	4P	236,5x316x178	-	4 insulation	1

NOTE: can be padlocked in ON and OFF position with max. 3 locks with diameter max. 8 mm.
The 63-100A 6P-8P versions can be padlocked only in the OFF position with IP66/IP69 protection degree.
Versions 100-160A up to 4P and 63-100A 6P and 8P allow to install max. 2 x M63 cable glands.
All lid screws are sealable.

EMERGENCY VERSIONS



GW 70 436 P

SURFACE-MOUNTING ISOLATOR - EMERGENCY VERSION WITH LOCKABLE RED KNOB - IP66/IP67/IP69

Code	No. of poles	Outer dim. LxHxD (mm)	Holes entry	Lid screws (no. and type)	Pack Carton
Rated current (A): 16					
GW 70 431 P	2P	125x150x75,5	2 x M20/25 + 2 x M20/25	4 insul. 1/4 turn	1/16
GW 70 432 P	3P	125x150x75,5	2 x M20/25 + 2 x M20/25	4 insul. 1/4 turn	1/16
GW 70 432 NP	3P+N	125x150x75,5	2 x M20/25 + 2 x M20/25	4 insul. 1/4 turn	1/16
GW 70 433 P	4P	125x150x75,5	2 x M20/25 + 2 x M20/25	4 insul. 1/4 turn	1/16
GW 70 641 P	6P	153,6x200,6x117	4xM20	4 insulation	1/4
GW 70 661 P	8P	153,6x200,6x117	4xM20	4 insulation	1/4
Rated current (A): 25					
GW 70 486 P	2P	125x150x75,5	2 x M20/25 + 2 x M20/25	4 insul. 1/4 turn	1/16
GW 70 487 P	3P	125x150x75,5	2 x M20/25 + 2 x M20/25	4 insul. 1/4 turn	1/16
GW 70 487 NP	3P+N	125x150x75,5	2 x M20/25 + 2 x M20/25	4 insul. 1/4 turn	1/16
GW 70 488 P	4P	125x150x75,5	2 x M20/25 + 2 x M20/25	4 insul. 1/4 turn	1/16
GW 70 642 P	6P	153,6x200,6x117	4xM25	4 insulation	1/4
GW 70 662 P	8P	153,6x200,6x117	4xM25	4 insulation	1/4
Rated current (A): 32					
GW 70 434 P	2P	125x150x75,5	2 x M20/25 + 2 x M20/25	4 insul. 1/4 turn	1/16
GW 70 435 P	3P	125x150x75,5	2 x M20/25 + 2 x M20/25	4 insul. 1/4 turn	1/16
GW 70 435 NP	3P+N	125x150x75,5	2 x M20/25 + 2 x M20/25	4 insul. 1/4 turn	1/16
GW 70 436 P	4P	125x150x75,5	2 x M20/25 + 2 x M20/25	4 insul. 1/4 turn	1/16
GW 70 643 P	6P	153,6x200,6x117	4xM25	4 insulation	1/4
GW 70 663 P	8P	153,6x200,6x117	4xM25	4 insulation	1/4
Rated current (A): 40					
GW 70 441 P	2P	125x150x75,5	2 x M20/25 + 2 x M20/25	4 insul. 1/4 turn	1/16
GW 70 442 P	3P	125x150x75,5	2 x M20/25 + 2 x M20/25	4 insul. 1/4 turn	1/16
GW 70 442 NP	3P+N	125x150x75,5	2 x M20/25 + 2 x M20/25	4 insul. 1/4 turn	1/16
GW 70 443 P	4P	125x150x75,5	2 x M20/25 + 2 x M20/25	4 insul. 1/4 turn	1/16
GW 70 644 P	6P	153,6x200,6x117	4xM32	4 insulation	1/4
GW 70 664 P	8P	153,6x200,6x117	4xM32	4 insulation	1/4
Rated current (A): 63					
GW 70 437 P	3P	156x200x95	2 x M25/32 + 2 x M25/32	4 insul. 1/4 turn	1/6
GW 70 437 NP	3P+N	156x200x95	2 x M25/32 + 2 x M25/32	4 insul. 1/4 turn	1/6
GW 70 438 P	4P	156x200x95	2 x M25/32 + 2 x M25/32	4 insul. 1/4 turn	1/6
GW 70 645 P	6P	236,5x315,5x178	-	4 insulation	1
GW 70 665 P	8P	236,5x315,5x178	-	4 insulation	1
Rated current (A): 80					
GW 70 489 P	3P	156x200x95	2 x M25/32 + 2 x M25/32	4 insul. 1/4 turn	1/6
GW 70 489 NP	3P+N	156x200x95	2 x M25/32 + 2 x M25/32	4 insul. 1/4 turn	1/6
GW 70 490 P	4P	156x200x95	2 x M25/32 + 2 x M25/32	4 insulation	1/6
Rated current (A): 100					
GW 70 491 P	3P	236,5x316x178	-	4 insulation	1
GW 70 491 NP	3P+N	236,5x316x178	-	4 insulation	1
GW 70 492 P	4P	236,5x316x178	-	4 insulation	1
GW 70 647 P	6P	236,5x315,5x178	-	4 insulation	1
GW 70 667 P	8P	236,5x315,5x178	-	4 insulation	1
Rated current (A): 125					
GW 70 493 P	3P	236,5x316x178	-	4 insulation	1
GW 70 493 NP	3P+N	236,5x316x178	-	4 insulation	1
GW 70 494 P	4P	236,5x316x178	-	4 insulation	1
Rated current (A): 160					
GW 70 495 P	3P	236,5x316x178	-	4 insulation	1
GW 70 495 NP	3P+N	236,5x316x178	-	4 insulation	1
GW 70 496 P	4P	236,5x316x178	-	4 insulation	1

NOTE: can be padlocked in OFF position with max. 3 locks with diameter max. 8 mm.
The 63-100A 6P-8P versions can be padlocked only in the OFF position with IP66/IP69 protection degree.
Versions 100-160A up to 4P and 63-100A 6P and 8P allow to install max. 2 x M63 cable glands.
All lid screws are sealable.

70 RT HP - SURFACE-MOUNTING ROTARY ISOLATOR IN METAL BOX - IP66

CONTROL VERSIONS



GW 70 406 M

SURFACE-MOUNTING ISOLATOR - CONTROL VERSION WITH LOCKABLE BLACK/GREY KNOB - IP66

Code	No. of poles	Outer dim. LxHxD (mm)	Holes entry	Pack Carton
Rated current (A): 16				
GW 70 401 M	2P	140x165x64	4xM20	1
GW 70 402 M	3P	140x165x64	4xM20	1
GW 70 402 NM	3P+N	140x165x64	4xM20	1
GW 70 403 M	4P	140x165x64	4xM20	1
GW 70 701 M	6P	200x230x110	4xM20	1
GW 70 721 M	8P	200x230x110	4xM20	1
Rated current (A): 25				
GW 70 416 M	2P	140x165x64	2 x M20 + 2 x M25	1
GW 70 417 M	3P	140x165x64	2 x M20 + 2 x M25	1
GW 70 417 NM	3P+N	140x165x64	2 x M20 + 2 x M25	1
GW 70 418 M	4P	140x165x64	2 x M20 + 2 x M25	1
GW 70 702 M	6P	200x230x110	4xM20	1
GW 70 722 M	8P	200x230x110	4xM20	1
Rated current (A): 32				
GW 70 404 M	2P	140x165x64	2 x M20 + 2 x M25	1
GW 70 405 M	3P	140x165x64	2 x M20 + 2 x M25	1
GW 70 405 NM	3P+N	140x165x64	2 x M20 + 2 x M25	1
GW 70 406 M	4P	140x165x64	2 x M20 + 2 x M25	1
GW 70 703 M	6P	200x230x110	4xM20	1
GW 70 723 M	8P	200x230x110	4xM20	1
Rated current (A): 40				
GW 70 413 M	2P	140x165x64	2 x M20 + 2 x M25	1
GW 70 414 M	3P	140x165x64	2 x M20 + 2 x M25	1
GW 70 414 NM	3P+N	140x165x64	2 x M20 + 2 x M25	1
GW 70 415 M	4P	140x165x64	2 x M20 + 2 x M25	1
GW 70 704 M	6P	200x230x110	4xM25	1
GW 70 724 M	8P	200x230x110	4xM25	1
Rated current (A): 63				
GW 70 407 M	3P	215x252x91	4xM32	1
GW 70 407 NM	3P+N	215x252x91	4xM32	1
GW 70 408 M	4P	215x252x91	4xM32	1
GW 70 705 M	6P	257x307x121	-	1
GW 70 725 M	8P	257x307x121	-	1
Rated current (A): 80				
GW 70 419 M	3P	215x252x91	4xM32	1
GW 70 419 NM	3P+N	215x252x91	4xM32	1
GW 70 420 M	4P	215x252x91	4xM32	1
Rated current (A): 100				
GW 70 421 M	3P	257x307x121	-	1
GW 70 421 NM	3P+N	257x307x121	-	1
GW 70 422 M	4P	257x307x121	-	1
GW 70 707 M	6P	257x307x121	-	1
GW 70 727 M	8P	257x307x121	-	1
Rated current (A): 125				
GW 70 423 M	3P	257x307x121	-	1
GW 70 423 NM	3P+N	257x307x121	-	1
GW 70 424 M	4P	257x307x121	-	1
Rated current (A): 160				
GW 70 425 M	3P	257x307x121	-	1
GW 70 425 NM	3P+N	257x307x121	-	1
GW 70 426 M	4P	257x307x121	-	1

NOTE: can be padlocked in ON and OFF position with max. 3 locks with diameter max. 8 mm.
Versions 100-160A up to 4P and 63-100A 6P and 8P allow to install max. 2 x M63 cable glands.

EMERGENCY VERSIONS



GW 70 436 M

SURFACE-MOUNTING ISOLATOR - EMERGENCY VERSION WITH LOCKABLE RED/YELLOW - IP66

Code	No. of poles	Outer dim. LxHxD (mm)	Holes entry	Pack Carton
Rated current (A): 16				
GW 70 431 M	2P	140x165x64	4xM20	1
GW 70 432 M	3P	140x165x64	4xM20	1
GW 70 432 NM	3P+N	140x165x64	4xM20	1
GW 70 433 M	4P	140x165x64	4xM20	1
GW 70 741 M	6P	200x230x110	4xM20	1
GW 70 761 M	8P	200x230x110	4xM20	1
Rated current (A): 25				
GW 70 486 M	2P	140x165x64	2 x M20 + 2 x M25	1
GW 70 487 M	3P	140x165x64	2 x M20 + 2 x M25	1
GW 70 487 NM	3P+N	140x165x64	2 x M20 + 2 x M25	1
GW 70 488 M	4P	140x165x64	2 x M20 + 2 x M25	1
GW 70 742 M	6P	200x230x110	4xM20	1
GW 70 762 M	8P	200x230x110	4xM20	1
Rated current (A): 32				
GW 70 434 M	2P	140x165x64	2 x M20 + 2 x M25	1
GW 70 435 M	3P	140x165x64	2 x M20 + 2 x M25	1
GW 70 435 NM	3P+N	140x165x64	2 x M20 + 2 x M25	1
GW 70 436 M	4P	140x165x64	2 x M20 + 2 x M25	1
GW 70 743 M	6P	200x230x110	4xM20	1
GW 70 763 M	8P	200x230x110	4xM20	1
Rated current (A): 40				
GW 70 441 M	2P	140x165x64	2 x M20 + 2 x M25	1
GW 70 442 M	3P	140x165x64	2 x M20 + 2 x M25	1
GW 70 442 NM	3P+N	140x165x64	2 x M20 + 2 x M25	1
GW 70 443 M	4P	140x165x64	2 x M20 + 2 x M25	1
GW 70 744 M	6P	200x230x110	4xM25	1
GW 70 764 M	8P	200x230x110	4xM25	1
Rated current (A): 63				
GW 70 437 M	3P	215x252x91	4xM32	1
GW 70 437 NM	3P+N	215x252x91	4xM32	1
GW 70 438 M	4P	215x252x91	4xM32	1
GW 70 745 M	6P	257x307x121	-	1
GW 70 765 M	8P	257x307x121	-	1
Rated current (A): 80				
GW 70 489 M	3P	215x252x91	4xM32	1
GW 70 489 NM	3P+N	215x252x91	4xM32	1
GW 70 490 M	4P	215x252x91	4xM32	1
Rated current (A): 100				
GW 70 491 M	3P	257x307x121	-	1
GW 70 491 NM	3P+N	257x307x121	-	1
GW 70 492 M	4P	257x307x121	-	1
GW 70 747 M	6P	257x307x121	-	1
GW 70 767 M	8P	257x307x121	-	1
Rated current (A): 125				
GW 70 493 M	3P	257x307x121	-	1
GW 70 493 NM	3P+N	257x307x121	-	1
GW 70 494 M	4P	257x307x121	-	1
Rated current (A): 160				
GW 70 495 M	3P	257x307x121	-	1
GW 70 495 NM	3P+N	257x307x121	-	1
GW 70 496 M	4P	257x307x121	-	1

NOTE: can be padlocked in OFF position with max. 3 locks with diameter max. 8 mm.
Versions 100-160A up to 4P and 63-100A 6P and 8P allow to install max. 2 x M63 cable glands.

70 RT HP - SURFACE MOUNTING ROTARY ISOLATOR IN INSULATING BOX IN DIRECT CURRENT - IP66/IP67/IP69

VERSIONS FOR PHOTOVOLTAIC APPLICATION



GW 70 231

SURFACE-MOUNTING ISOLATOR - CONTROL VERSION WITH LOCKABLE BLACK KNOB - IP66/IP67/IP69

Code	No. of poles	Outer dim. LxHxD (mm)	Holes entry	Lid screws (no. and type)	Pack Carton
Rated current (A): 16					
GW 70 231	2P	153,6x200,6x117	4xM20	4 insulation	1/4
Rated current (A): 25					
GW 70 235	3P	153,6x200,6x117	4xM20	4 insulation	1/4
Rated current (A): 32					
GW 70 238	3P	153,6x200,6x117	4xM20	4 insulation	1/4
GW 70 239	4P	153,6x200,6x117	4xM25	4 insulation	1/4
Rated current (A): 40					
GW 70 241	3P	153,6x200,6x117	4xM20	4 insulation	1/4
GW 70 242	4P	153,6x200,6x117	4xM25	4 insulation	1/4

70 RT HP - ISOLATORS FOR AUTOMATION AND DISTRIBUTION BOARD

VERSIONS FOR BOARD 16 ÷ 160 A

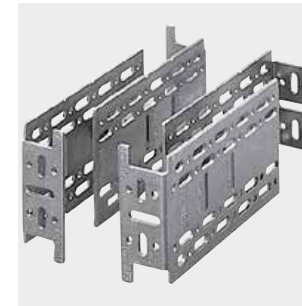


GW 70 001

ISOLATOR SWITCHES FOR DISTRIBUTION BOARD WITH PADLOCKABLE RED/YELLOW KNOB AND CONTROL TRANSMISSION SHAFT

Code	No. of poles	No. of modules EN 50022	Regulation field	Pack Carton
Rated current (A): 16				
GW 70 001	2P	4	87 - 145 mm	1/10
GW 70 002	3P	4	87 - 145 mm	1/10
GW 70 003	4P	4	87 - 145 mm	1/10
Rated current (A): 25				
GW 70 052	3P	4	87 - 145 mm	1/10
GW 70 053	4P	4	87 - 145 mm	1/10
Rated current (A): 32				
GW 70 004	2P	4	87 - 145 mm	1/10
GW 70 005	3P	4	87 - 145 mm	1/10
GW 70 006	4P	4	87 - 145 mm	1/10
Rated current (A): 40				
GW 70 055	3P	4	87 - 145 mm	1/10
GW 70 056	4P	4	87 - 145 mm	1/10
Rated current (A): 63				
GW 70 007	3P	5	114 - 177 mm	1/5
GW 70 008	4P	5	114 - 177 mm	1/5
Rated current (A): 80				
GW 70 058	3P	5	114 - 177 mm	1/5
GW 70 059	4P	5	114 - 177 mm	1/5
Rated current (A): 100				
GW 70 061	3P	4	194 max	1/6
GW 70 062	4P	6	194 max	1/6
Rated current (A): 125				
GW 70 064	3P	4	194 max	1/6
GW 70 065	4P	6	194 max	1/6
Rated current (A): 160				
GW 70 067	3P	4	194 max	1/6
GW 70 068	4P	6	194 max	1/6

CHARACTERISTICS: the regulation field can be obtained by cutting the shaft supplied. Versions for panel/door mounting 16A ÷ 80A can be accessorized with galvanized steel extending brackets GW 70 009.



GW 70 009

GALVANIZED STEEL EXTENDING BRACKETS FOR REAR FIXING

Code	For isolator	Regulation field	Pack Carton
Rated current (A): 16			
GW 70 009	16 A - 25 A - 32 A - 40 A - 63 A - 80 A	117-305mm (16-40A) - 144-337mm (63-80A)	1/10

CHARACTERISTICS: the regulation field can be obtained by cutting both the shaft supplied and the extension brackets at the references shown.
ACCESSORIES SUPPLIED: self-tapping screw kit.

VERSIONS FOR BOARD 200 ÷ 800 A



GW 70 070

ISOLATOR SWITCHES FOR DISTRIBUTION BOARD WITH PADLOCKABLE BLACK KNOB AND CONTROL TRANSMISSION SHAFT

Code	No. of poles	No. of modules EN 50022	Regulation field	Pack Carton
Rated current (A): 200				
GW 70 070	3P	9	124 - 144 mm	1
GW 70 071	4P	11	124 - 144 mm	1
Rated current (A): 250				
GW 70 073	3P	9	124 - 144 mm	1
GW 70 074	4P	11	124 - 144 mm	1
Rated current (A): 315				
GW 70 076	3P	12	157 - 277 mm	1
GW 70 077	4P	14	157 - 277 mm	1
Rated current (A): 400				
GW 70 079	3P	12	157 - 277 mm	1
GW 70 080	4P	14	157 - 277 mm	1
Rated current (A): 630				
GW 70 085	3P	16	-	1
GW 70 086	4P	20	-	1
Rated current (A): 800				
GW 70 088	3P	16	-	1
GW 70 089	4P	20	-	1

VERSIONS FOR FIXING ON DIN RAIL



GW 70 203

ISOLATOR SWITCHES FOR DIN RAIL WITH BLACK KNOB

Code	No. of poles	No. of modules EN 50022	Pack Carton
Rated current (A): 16			
GW 70 201	2P	4	1/24
GW 70 202	3P	4	1/24
GW 70 203	4P	4	1/24
Rated current (A): 32			
GW 70 204	2P	4	1/24
GW 70 205	3P	4	1/24
GW 70 206	4P	4	1/24
Rated current (A): 63			
GW 70 207	3P	5	1/12
GW 70 208	4P	5	1/12

COMPLEMENTARY ITEMS



GW 70 026

AUXILIARY CONTACTS

Code	Type of contact	For isolator	Pack Carton
GW 70 026	1 NO + 1 NC	16 A - 25 A - 32 A - 40 A - 63 A - 80 A	1/12
GW 70 027	2 NO	16 A - 25 A - 32 A - 40 A - 63 A - 80 A	1/12
GW 70 028	2 NC	16 A - 25 A - 32 A - 40 A - 63 A - 80 A	1/12
GW 70 029	1 NO + 1 NC	100 A - 125 A - 160 A	1/12
GW 70 035	1NC	200 ÷ 800 A	1/12
GW 70 036	1EB	200 ÷ 800 A	1/12



GW 70 040

SHAFTS FOR BOARD VERSIONS

Code	Length	For isolator	Pack Carton
GW 70 040	300 mm	200 ÷ 400 A	1
GW 70 041	300 mm	630 A - 800 A	1



GW 70 171

PHASE BARRIERS

Code	Kit	For isolator	Pack Carton
GW 70 171	6 pieces	200 A - 250 A 3P	1
GW 70 172	8 pieces	200 A - 250 A 4P	1
GW 70 173	6 pieces	315 A - 400 A 3P	1
GW 70 174	8 pieces	315 A - 400 A 4P	1
GW 70 175	6 pieces	630 A - 800 A 3P	1
GW 70 176	8 pieces	630 A - 800 A 4P	1



GW 70 181

TERMINAL COVERS

Code	Kit	For isolator	Pack Carton
GW 70 181	3 pieces	200 A - 250 A 3P	1
GW 70 182	4 pieces	200 A - 250 A 4P	1
GW 70 183	3 pieces	315 A - 400 A 3P	1
GW 70 184	4 pieces	315 A - 400 A 4P	1
GW 70 185	3 pieces	630 A - 800 A 3P	1
GW 70 186	4 pieces	630 A - 800 A 4P	1



GW 44 622

INSULATING SCREW CAPS

Code	Description	For isolators	Pack Carton
GW 44 622	Screwcap Ø 16 mm	All versions not using GW 44 623	10/100
GW 44 623	Screwcap Ø 25 mm	63-80A 3P, 3P+N and 4P	10/100

NOTE: required to maintain the double insulation and the IP protection degree when drilling the internal fixing points to install the versions in insulating box

News

70 ATEX - DISCONNECTING SWITCHES IN PAINTED ALUMINIUM BOX - ZONE 22 (D)

CONTROL VERSIONS IN ALUMINIUM ALLOY BOX



GW 70 451

ATEX ROTARY WALL-MOUNTING SWITCHES FOR CONTROL, WITH BLACK KNOB - IP65

Code	No. of poles	Power AC3 400V (kW)	Outer dim. LxHxD (mm)	Pack Carton
Rated current (A): 16				
GW 70 451	2P	6 (230V)	140x165x135	1
GW 70 452	3P	10	140x165x135	1
GW 70 453	4P	10	140x165x135	1
Rated current (A): 32				
GW 70 454	2P	9 (230V)	140x165x135	1
GW 70 455	3P	15	140x165x135	1
GW 70 456	4P	15	140x165x135	1
Rated current (A): 63				
GW 70 457	3P	18.5	140x165x135	1
GW 70 458	4P	18.5	140x165x135	1
Rated current (A): 100				
GW 70 459	3P	30	215x252x94	1
GW 70 460	4P	30	215x252x94	1

ACCESSORIES SUPPLIED: cable gland M25 for 16A versions, M32 for 32-63A versions, and M40 for 100A.

CHARACTERISTICS: box in aluminium alloy painted in Grey RAL 7037.

ATEX Classification: Equipment-group II Category 3D.

Dust protection mode: tc.

Room temperature: -20°C ≤ Ta ≤ +40 °C.

NOTES: Can be padlocked with 3 locks in the OFF position and one in the ON position.

EMERGENCY VERSIONS IN ALUMINIUM ALLOY BOX



GW 70 471

ATEX ROTARY WALL-MOUNTING SWITCHES FOR EMERGENCY, WITH RED KNOB - IP65

Code	No. of poles	Power AC3 400V (kW)	Outer dim. LxHxD (mm)	Pack Carton
Rated current (A): 16				
GW 70 471	2P	6 (230V)	140x165x135	1
GW 70 472	3P	10	140x165x135	1
GW 70 473	4P	10	140x165x135	1
Rated current (A): 32				
GW 70 474	2P	9 (230V)	140x165x135	1
GW 70 475	3P	15	140x165x135	1
GW 70 476	4P	15	140x165x135	1
Rated current (A): 63				
GW 70 477	3P	18.5	140x165x135	1
GW 70 478	4P	18.5	140x165x135	1
Rated current (A): 100				
GW 70 479	3P	30	215x252x94	1
GW 70 480	4P	30	215x252x94	1

ACCESSORIES SUPPLIED: cable gland M25 for 16A versions, M32 for 32-63A versions, and M40 for 100A.

CHARACTERISTICS: box in aluminium alloy painted in Grey RAL 7037.

ATEX Classification: Equipment-group II Category 3D.

Dust protection mode: tc.

Room temperature: -20°C ≤ Ta ≤ +40 °C.

NOTES: Can be padlocked with 3 locks in the OFF position.

News

ROTARY ISOLATOR SWITCHES IN INSULATING BOX

Rotary isolator switches in control (with black knob) or emergency version (with red knob). Complying with EN 60947-3 standard.

Electrical data 16 A ÷ 160 A 2P, 3P, 3P+N, 4P

Rated current IEC		16A	25A	32A	40A	63A	80A	100A	125A	160A	
Rated insulation voltage Ui		VAC	690	690	690	690	690	1000	1000	1000	
Rated impulse withstand voltage Uimp		kV	4	4	4	4	4	8	8	8	
Thermal current Ith/Ithe		A	16	25	32	40	63	80	100	125	
Rated operational current IEC	AC21A Resistive loads, including moderate overloads	415V A	16	25	32	40	63	80	100	125	
	AC22A Mixed resistive and inductive loads, including moderate overloads	415V A	16	25	32	40	63	80	100	125	
	AC23A Switching of motor loads or other highly inductive loads (3 phases/3 poles)	415V A	16	25	32	40	63	80	100	125	
Rated short time withstand current Icw (1s)		A	160	250	320	400	630	800	2500	2500	
Conditional short circuit current (Icc)		415V 500V	kA	10	10	10	10	6	10	10	
Associated fuse for conditional short circuit current - Type gG		A	16	25	32	40	63	80	100	125	
WIRING *											
Tightening torque		Nm	1			3			6		
Max. flexible wire		mm ²	1 ÷ 10			2,5 ÷ 25			4 ÷ 70		
Max. rigid wire		mm ²	1 ÷ 10			2,5 ÷ 25			4 ÷ 70		

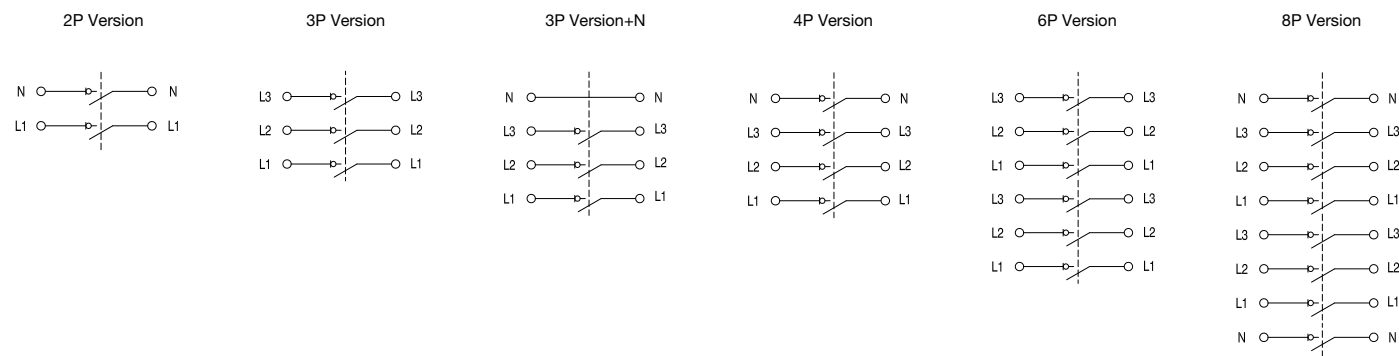
* The surface of the wiring terminals is knurled to improve the grip of the stripped cable inserted into the terminal and to facilitate wiring operations.

Electrical data 16 A ÷ 100 A 6P, 8P

Rated current IEC		16A	25A	32A	40A	63A	100A	
Rated insulation voltage Ui		VAC	1000	1000	1000	1000	1000	
Rated impulse withstand voltage Uimp		kV	8	8	8	8	8	
Thermal current Ith/Ithe		A	16	25	32	40	63	
Rated operational current IEC	AC21A Resistive loads, including moderate overloads	415V A	16	25	32	40	63	
	AC22A Mixed resistive and inductive loads, including moderate overloads	415V A	16	25	32	40	63	
	AC23A Switching of motor loads or other highly inductive loads (3 phases/3 poles)	415V A	16	25	32	40	63	
Conditional short circuit current (Icc)		415V	kA	10	10	10	10	
Associated fuse for conditional short circuit current - Type gG		A	40	40	40	40	100	
WIRING *								
Tightening torque		Nm	2				6	
Max. flexible wire		mm ²	0,75 ÷ 16				4 ÷ 70	
Max. rigid wire		mm ²	0,75 ÷ 16				4 ÷ 70	

* The surface of the wiring terminals is knurled to improve the grip of the stripped cable inserted into the terminal and to facilitate wiring operations.

Wiring diagram



BEHAVIOUR WITH CHEMICAL AND ATMOSPHERIC AGENTS										
Saline solution	Acids		Bases		Solvents				Mineral oil	UV rays
	Concentrated	Diluted	Concentrated	Diluted	Hexane	Benzol	Acetone	Alcohol		
Resistant	Limited resistance	Resistant	Not resistant	Limited resistance	Limited resistance	Not resistant	Not resistant	Limited resistance	Resistant	Resistant

Mechanical data 16 A ÷ 160 A 2P, 3P, 3P+N, 4P

In (A)		16	25	32	40	63	80	100	125	160
Poles	2P	x	x	x	x					
	3P	x	x	x	x	x	x	x	x	x
	3P+N	x	x	x	x	x	x	x	x	x
	4P	x	x	x	x	x	x	x	x	x
Degree of protection		IP66/IP67/IP69								
Impact resistance		IK08								
Protection against indirect contact		☐								
Thermo-pressure with ball (°C)		125 (device); 80 (box)								
Glow Wire Test (°C)		960 (device); 650 (box)								
Range of temperature (°C)		-25; +60								
Housable auxiliary contacts		Max. 2 (1 per side)				Max. 4* (2 per side)				
Holes entry	Upper sides	2 x M20/M25			2 x M25/M32			-		
	Lower sides	2 x M20/M25			2 x M25/M32			-		
Knob position	Open - OFF position		Close - ON position			Open - OFF position		Close - ON position		

NOTE: to install the boxes by drilling the internal fixing points, it is necessary to use the screw caps GW 44 622 or GW 44 623 to maintain the double insulation and the IP protection degree.

(*) In 4P versions the max number of auxiliary contacts that can be installed is 3 (2+1). In the 160A 4P version the maximum number of auxiliary contacts that can be installed is 1.

Mechanical data 16 A ÷ 100 A 6P, 8P

In (A)		16	25	32	40	63	100	
Poles	6P	x	x	x	x	x	x	
	8P	x	x	x	x	x	x	
Degree of protection		IP66/67/69				IP66/69		
Impact resistance		IK08						
Protection against indirect contact		☐						
Thermo-pressure with ball (°C)		125 (device); 80 (box)						
Glow Wire Test (°C)		960 (device); 650 (box)						
Range of temperature (°C)		-25; +60						
Housable auxiliary contacts		Max. 4 (2 per side)			Max. 1			Max. 1
Holes entry	Upper sides	2 x M20		2 x M25		2 x M32		-
	Lower sides	2 x M20		2 x M25		2 x M32		-
Knob position	Open - OFF position		Close - ON position					

NOTE: to install the boxes by drilling the internal fixing points, it is necessary to use the screw caps GW 44 622 or GW 44 623 to maintain the double insulation and the IP protection degree.

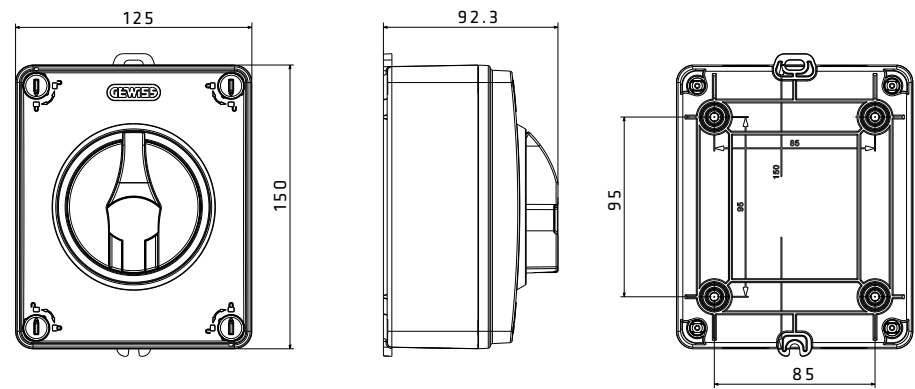
Auxiliary Contacts

TECHNICAL DATA	
Type: Auxiliary Contacts NO or NC	Thermal current in Air (Ith): 16 A
Rated insulation voltage (Ui): 400 V	Thermal current in Boxes (Ithe): 10A
Conditional short circuit current (Icc - 400 V): 1 kA	Rated impulse withstand voltage (Uimp): 4 kV
Associated fuse size for conditional short circuit current - Type gG: 6A	Category of uses AC15: 6A (230V)
Tightening torque: 0,8 Nm	3A (380V)

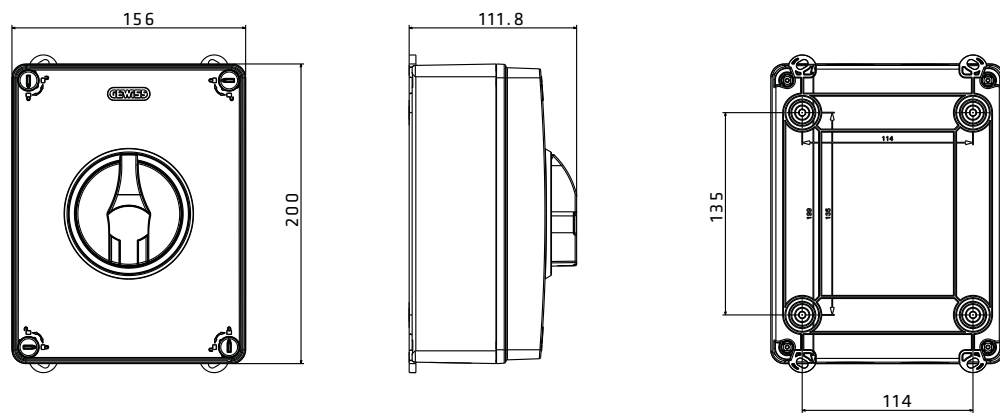
Dimension tables 16 A ÷ 160 A 2P, 3P, 3P+N, 4P

ISOLATORS IN PLASTIC BOX

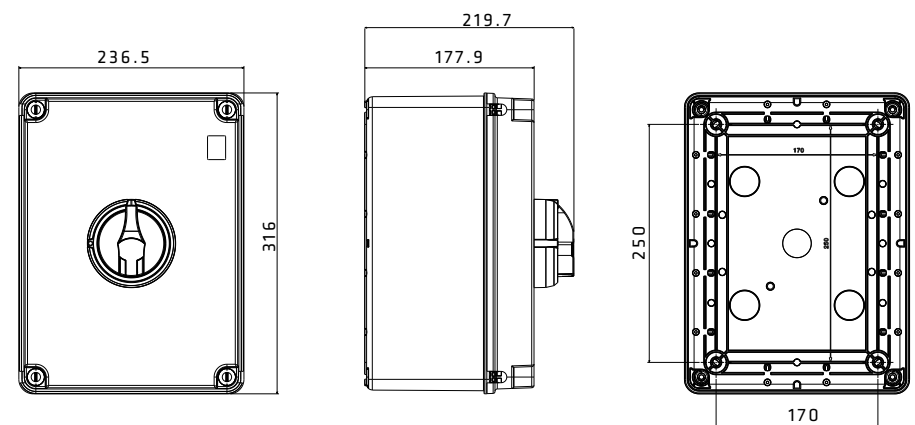
ISOLATORS IN BOX 16 A ÷ 40 A



ISOLATORS IN BOX 63 A - 80 A



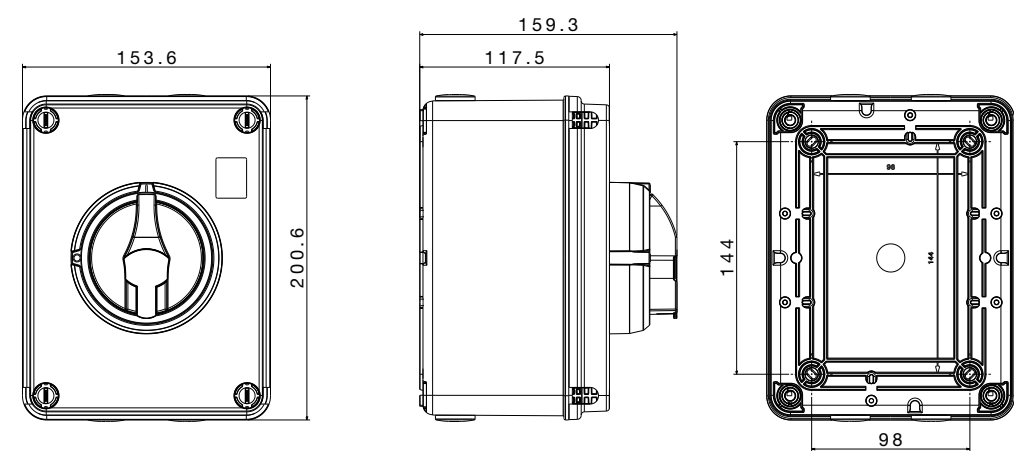
ISOLATORS IN BOX 100 A ÷ 160 A



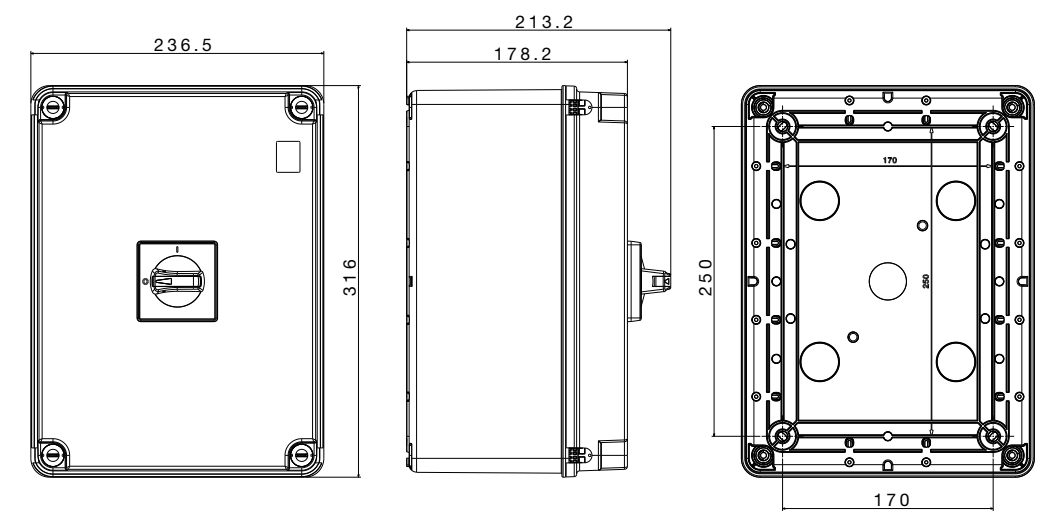
Dimension tables 16 A ÷ 100 A 6P, 8P

ISOLATORS IN PLASTIC BOX

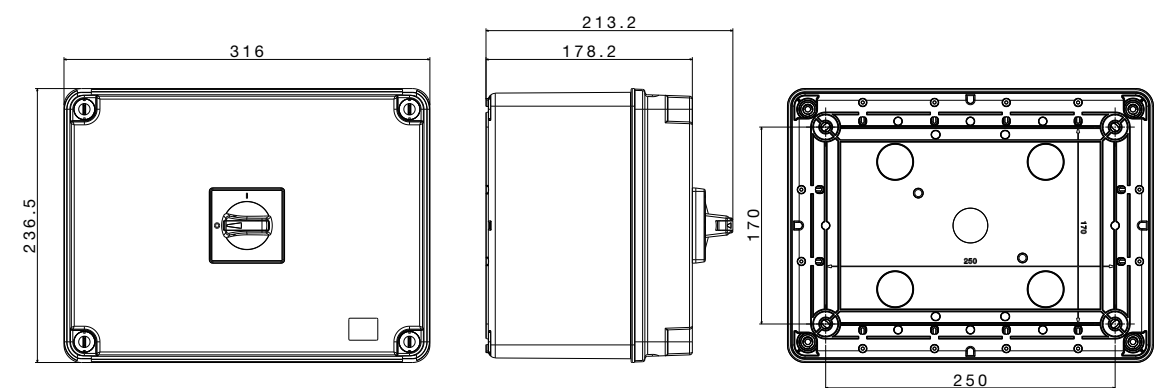
ISOLATORS IN BOX 16 A ÷ 40 A 6P - 8P



ISOLATORS IN BOX 63 A ÷ 100 A 6P



ISOLATORS IN BOX 63 A ÷ 100 A 8P



ROTARY ISOLATOR SWITCHES IN METAL BOX

Rotary isolator switches in control (with black knob) or emergency version (with red knob). Complying with EN 60947-3 standard.

Electrical data 16 A ÷ 160 A 2P, 3P, 3P+N, 4P

Rated current IEC		16A	25A	32A	40A	63A	80A	100A	125A	160A	
Rated insulation voltage Ui		VAC	690	690	690	690	690	1000	1000	1000	
Rated impulse withstand voltage Uimp		kV	4	4	4	4	4	8	8	8	
Thermal current Ith/Ithe		A	16	25	32	40	63	80	100	125	
Rated operational current IEC	AC21A Resistive loads, including moderate overloads	415V	A	16	25	32	40	63	80	100	
	AC22A Mixed resistive and inductive loads, including moderate overloads	415V	A	16	25	32	40	63	80	100	
	AC23A Switching of motor loads or other highly inductive loads (3 phases/3 poles)	415V	A	16	25	32	40	63	80	100	
	Associated fuse for conditional short circuit current - Type gG	A	160	250	320	400	630	800	2500	2500	
Conditional short circuit current (Icc)	415V	kA	10	10	10	10	6	6	10	10	
	500V	kA	6	6	6	6	6	6	6	6	
Associated fuse for conditional short circuit current - Type gG		A	16	25	32	40	63	80	100	125	
WIRING *											
Tightening torque		Nm	1			3			6		
Max. flexible wire		mm ²	1 ÷ 10			2,5 ÷ 25			4 ÷ 70		
Max. rigid wire		mm ²	1 ÷ 10			2,5 ÷ 25			4 ÷ 70		

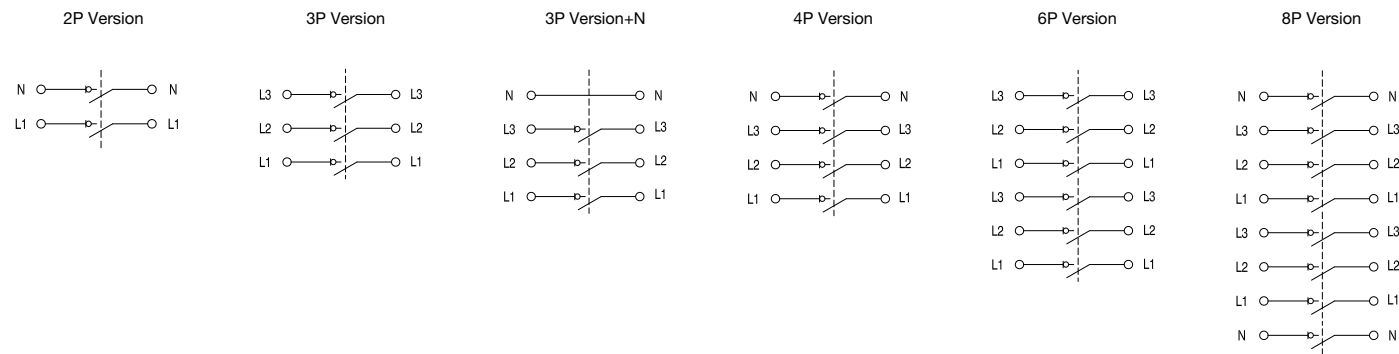
* The surface of the wiring terminals is knurled to improve the grip of the stripped cable inserted into the terminal and to facilitate wiring operations.

Electrical data 16 A ÷ 100 A 6P, 8P

Rated current IEC		16A	25A	32A	40A	63A	100A
Rated insulation voltage Ui		VAC	1000	1000	1000	1000	1000
Rated impulse withstand voltage Uimp		kV	8	8	8	8	8
Thermal current Ith/Ithe		A	16	25	32	40	63
Rated operational current IEC	AC21A Resistive loads, including moderate overloads	415V	A	16	25	32	40
	AC22A Mixed resistive and inductive loads, including moderate overloads	415V	A	16	25	32	40
	AC23A Switching of motor loads or other highly inductive loads (3 phases/3 poles)	415V	A	16	25	32	40
	Conditional short circuit current (Icc)	415V	kA	10	10	10	10
Associated fuse for conditional short circuit current - Type gG		A	40	40	40	40	100
WIRING *							
Tightening torque		Nm	2			6	
Max. flexible wire		mm ²	0,75 ÷ 16			4 ÷ 70	
Max. rigid wire		mm ²	0,75 ÷ 16			4 ÷ 70	

* The surface of the wiring terminals is knurled to improve the grip of the stripped cable inserted into the terminal and to facilitate wiring operations.

Wiring diagram



BEHAVIOUR WITH CHEMICAL AND ATMOSPHERIC AGENTS										
Saline solution	Acids		Bases		Solventi				Mineral oil	UV rays
	Concentrated	Diluted	Concentrated	Diluted	Hexane	Benzol	Acetone	Alcohol		
Resistant	Limited resistance	Limited resistance	Limited resistance	Limited resistance	Resistant	Resistant	Resistant	Resistant	Resistant	Resistant

Mechanical data 16 A ÷ 160 A 2P, 3P, 3P+N, 4P

In (A)		16	25	32	40	63	80	100	125	160
Poles	2P	x	x	x	x					
	3P	x	x	x	x	x	x	x	x	x
	3P+N	x	x	x	x	x	x	x	x	x
	4P	x	x	x	x	x	x	x	x	x
Degree of protection		IP66								
Impact resistance		IK10 (box); IK08 (knob)								
Thermo-pressure with ball (°C)		80 (box)								
Glow Wire Test (°C)		650 (knob)								
Range of temperature (°C)		-25; +60								
Housable auxiliary contacts		Max. 2 (1 per side)						Max. 4* (2 per side)		
Holes entry	Upper sides	2 x M20/M25			2 x M25/M32			-		
	Lower sides	2 x M20/M25			2 x M25/M32			-		
Knob position	Open - OFF position		Close - ON position				Open - OFF position		Close - ON position	

(*) In 4P versions the max number of auxiliary contacts that can be installed is 3 (2+1). In the 160A 4P version the maximum number of auxiliary contacts that can be installed is 1.

Mechanical data 16 A ÷ 100 A 6P, 8P

In (A)		16	25	32	40	63	100
Poles	6P	x	x	x	x	x	x
	8P	x	x	x	x	x	x
Degree of protection		IP66					
Impact resistance		IK10 (box); IK08 (knob)					
Thermo-pressure with ball (°C)		80 (box)					
Glow Wire Test (°C)		650 (knob)					
Range of temperature (°C)		-25; +60					
Housable auxiliary contacts		6P			8P		
		Max. 2 (1 per side)					Max. 1
Holes entry	Upper sides	2 x M20			2 x M25		-
	Lower sides	2 x M20			2 x M25		-
Knob position	Open - OFF position		Close - ON position				

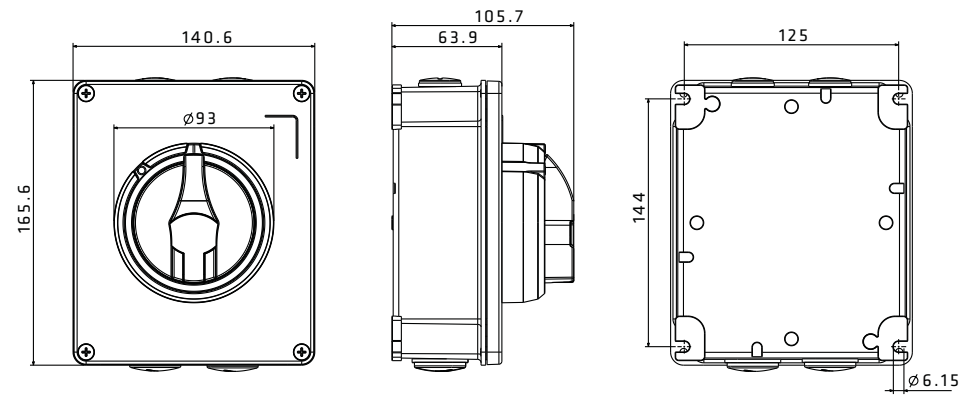
Auxiliary Contacts

TECHNICAL DATA	
Type: Auxiliary Contacts NO or NC	Thermal current in Air (Ith): 16 A
Rated insulation voltage (Ui): 400 V	Thermal current in Boxes (Ithe): 10A
Conditional short circuit current (Icc - 400 V): 1 kA	Rated impulse withstand voltage (Uimp): 4 kV
Associated fuse size for conditional short circuit current - Type gG: 6A	Category of uses AC15: 6A (230V)
Tightening torque: 0,8 Nm	3A (380V)

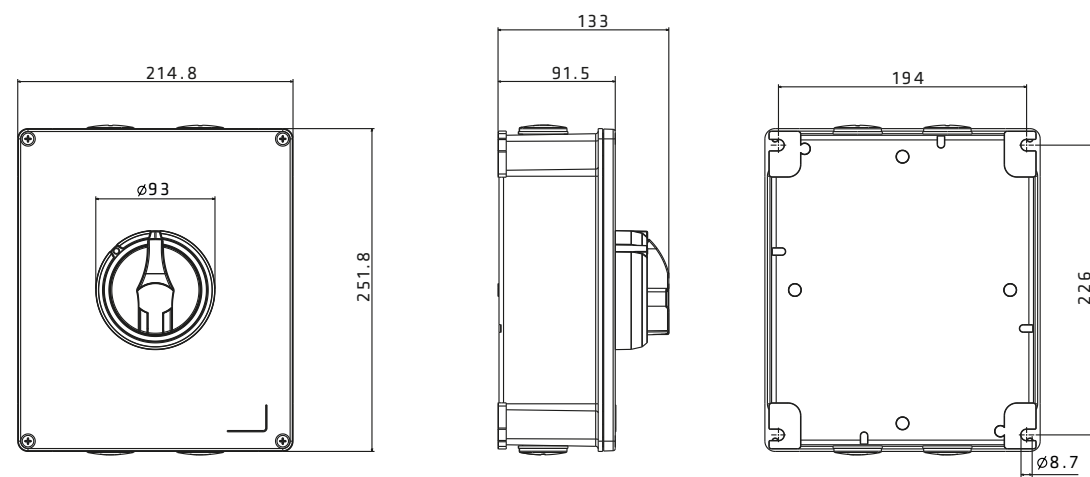
Dimension tables 16 A ÷ 160 A 2P, 3P, 3P+N, 4P

ISOLATORS IN METAL BOX

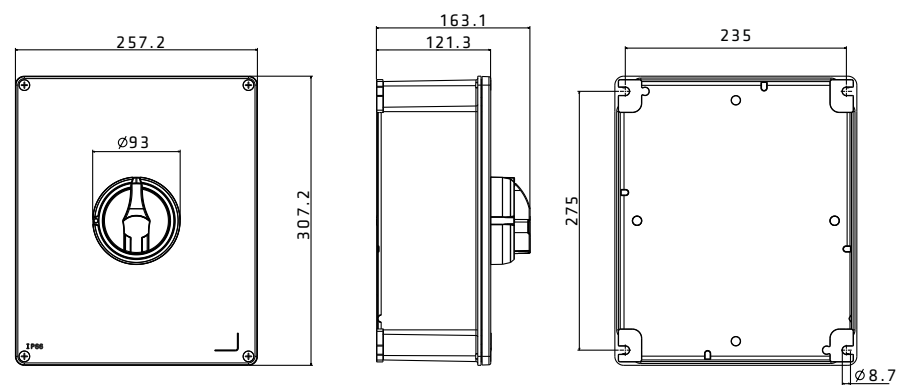
ISOLATORS IN BOX 16 A ÷ 40 A



ISOLATORS IN BOX 63 A - 80 A



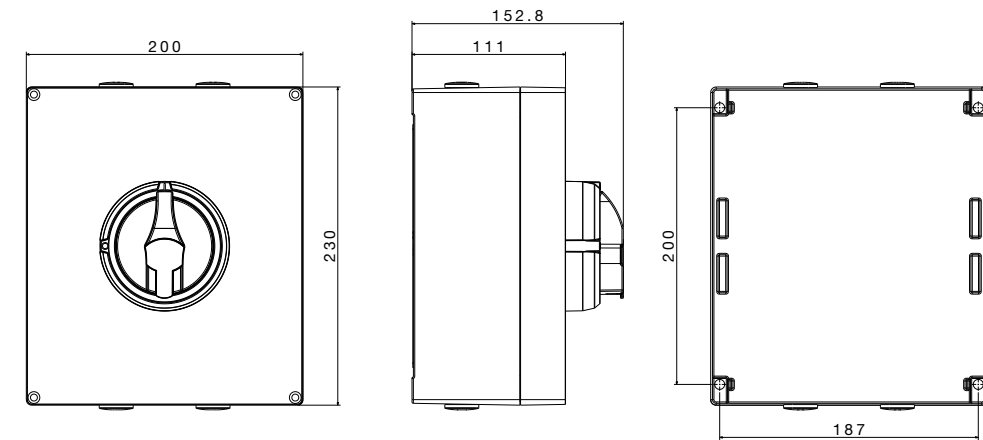
ISOLATORS IN BOX 100 A ÷ 160 A



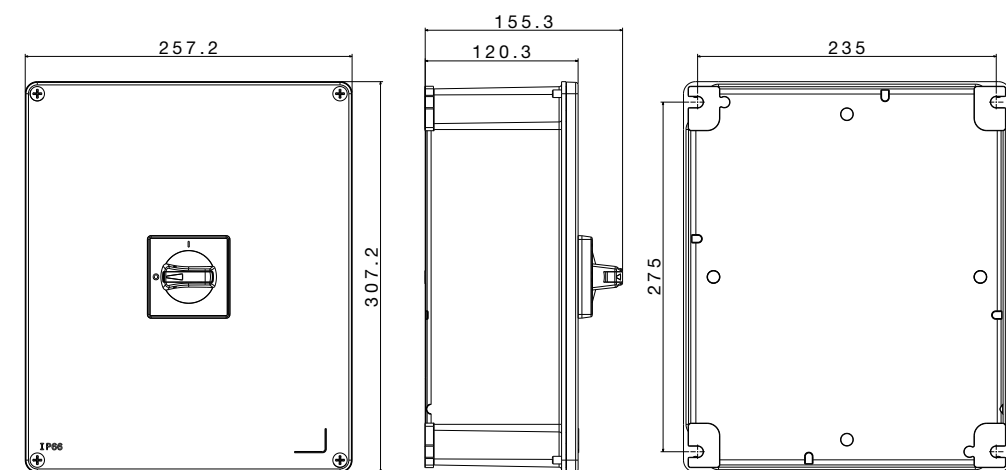
Dimension tables 16 A ÷ 100 A 6P, 8P

ISOLATORS IN METAL BOX

ISOLATORS IN BOX 16 A ÷ 40 A



ISOLATORS IN BOX 63 A ÷ 100 A



ROTARY ISOLATOR SWITCHES IN DIRECT CURRENT

Rotary disconnecter switches in insulating box.

Complying with EN 60947-3 standard and CEI EN 60947-3:2021 (Annex D) for photovoltaic applications.

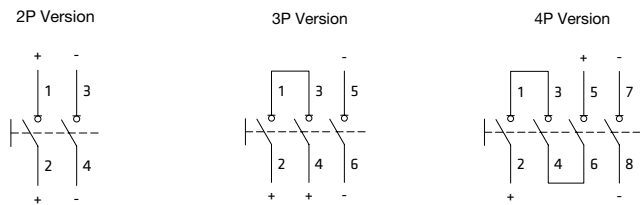
Electrical data

Code		GW 70 231	GW 70 235	GW 70 238	GW 70 239	GW 70 241	GW 70 242
Rated current IEC		16A	25A	32A	32A	40A	40A
DC21B / DCPV1	$\leq 800V$	DATA TO BE REQUESTED TO OUR TECHNICAL ASSISTANCE SERVICE					
	1000V						
	1250V						
	1500V						
Rated insulation voltage U_i	VAC						
Rated impulse withstand voltage U_{imp}	kV						
Thermal current I_{th}/I_{the}	A						
Rated short time withstand current I_{cw} (1s)	A						
WIRING							
Tightening torque	Nm	1,6					
Max. flexible wire	mm'	1 \div 10					
Max. rigid wire	mm'	1 \div 10					

Mechanical data

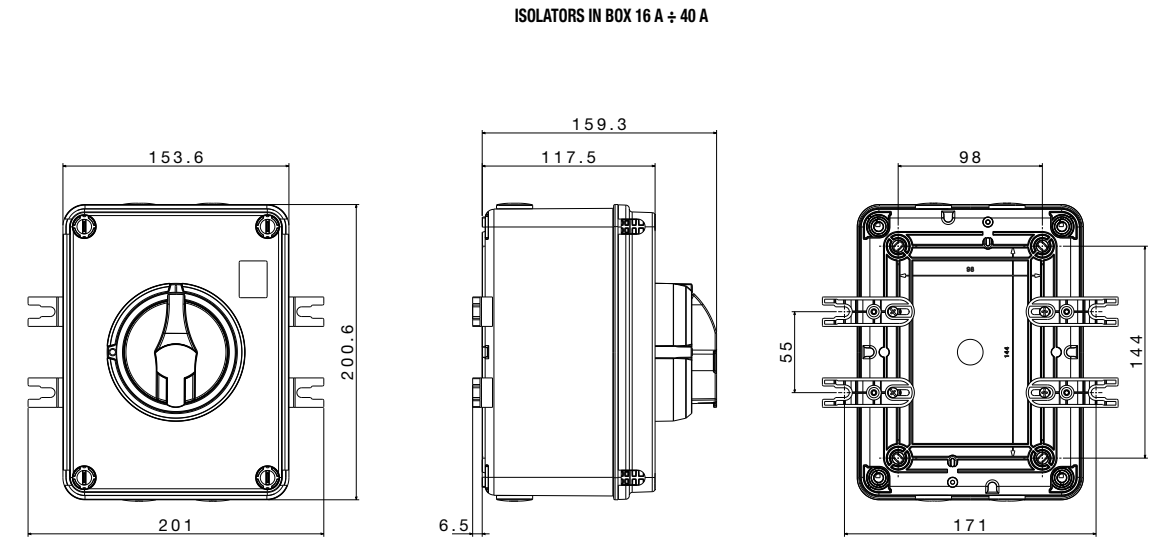
In (A)		16	25	32	40		
Poles		2P	3P	3P	4P	3P	4P
Degree of protection		IP66/IP67/IP69					
Impact resistance		IK08					
Protection against indirect contact		□					
Thermo-pressure with ball (°C)		125 (device); 80 (box)					
Glow Wire Test (°C)		960 (device); 650 (box)					
Range of temperature (°C)		-25; +60					
Holes entry	Upper sides	2 x M20	2 x M20	2 x M25	2 x M20	2 x M25	2 x M25
	Lower sides	2 x M20	2 x M20	2 x M25	2 x M20	2 x M25	2 x M25
Knob position		Open - OFF position		Close - ON position			

Wiring diagram



Dimension tables

ISOLATORS IN BOX



BEHAVIOUR WITH CHEMICAL AND ATMOSPHERIC AGENTS										
Saline solution	Acids		Bases		Solventi				Mineral oil	UV rays
	Concentrated	Diluted	Concentrated	Diluted	Hexane	Benzol	Acetone	Alcohol		
Resistant	Limited resistance	Resistant	Not Resistant	Limited resistance	Limited resistance	Not Resistant	Not Resistant	Limited resistance	Resistant	Resistant

ROTARY ISOLATOR SWITCHES FOR DISTRIBUTION BOARDS

Rotary disconnecter switches in versions for board (16 A ÷ 800 A) or for DIN rail (16 A ÷ 63 A). Complying with EN 60947-3 standard.

Electrical data 16 A ÷ 160 A 2P, 3P, 4P

Rated current IEC		16A	25A	32A	40A	63A	80A	100A	125A	160A			
Rated insulation voltage Ui	VAC	690	690	690	690	690	690	1000	1000	1000			
Rated impulse withstand voltage Uimp	kV	4	4	4	4	4	4	8	8	8			
Thermal current Ith/Ithe	A	16	25	32	40	63	80	100	125	160			
Rated operational current IEC	AC21A	415V	A	16	25	32	40	63	80	100	125	160	
	Resistive loads, including moderate overloads	500V	A	16	25	32	40	63	80	100	125	160	
		415V	A	16	25	32	40	63	80	100	125	160	
	AC22A	Mixed resistive and inductive loads, including moderate overloads	500V	A	16	25	32	40	63	80	80	100	100
			415V	A	16	25	32	40	63	80	100	125	125
	AC23A	Switching of motor loads or other highly inductive loads (3 phases/3 poles)	500V	A	16	25	32	40	63	80	80	100	100
Rated short time withstand current Icw (1s)	A	160	250	320	400	630	800	2500	2500	2500			
Conditional short circuit current (Icc)	415V	kA	10	10	10	10	6	6	10	10	10		
	500V	kA	6	6	6	6	6	6	6	6	6		
Associated fuse for conditional short circuit current - Type gG	A	16	25	32	40	63	80	100	125	160			
WIRING													
Tightening torque	Nm	1			3			6					
Max. flexible wire	mm ²	1 ÷ 10			2,5 ÷ 25			4 ÷ 70					
Max. rigid wire	mm ²	1 ÷ 10			2,5 ÷ 25			4 ÷ 70					

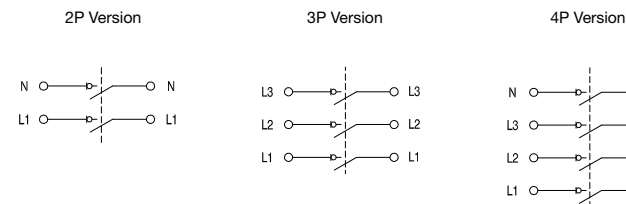
NOTE: the surface of the wiring terminals is knurled to improve the grip of the stripped cable inserted into the terminal and to facilitate wiring operations.

Electrical data 200 A ÷ 800 A 3P, 4P

Rated current IEC		200A	250A	315A	400A	630A	800A			
Rated insulation voltage Ui	VAC	1000	1000	1000	1000	1000	1000			
Rated impulse withstand voltage Uimp	kV	12	12	12	12	12	12			
Thermal current Ith/Ithe	A	200	250	315	400	630	800			
Rated operational current IEC	AC21A	415V	A	200	250	315	400	630	800	
	Resistive loads, including moderate overloads	500V	A	200	250	315	400	630	800	
		690V	A	200	250	315	400	630	800	
		415V	A	200	250	315	400	630	800	
	AC22A	Mixed resistive and inductive loads, including moderate overloads	500V	A	200	250	315	400	630	800
			690V	A	200	250	315	400	630	800
415V			A	200	250	315	400	630	800	
AC23A	Switching of motor loads or other highly inductive loads (3 phases/3 poles)	500V	A	200	250	315	400	630	800	
		690V	A	200	250	315	400	630	800	
		415V	A	200	250	315	400	630	800	
Rated short time withstand current Icw (1s)	kA	6	6	12,5	12,5	20	20			
Conditional short circuit current (Icc)	415V	kA	100	100	80	80	DATA TO BE REQUESTED TO OUR TECHNICAL ASSISTANCE SERVICE			
	500V	kA	100	100	80	80				
	690V	kA	100	100	80	80				
Associated fuse for conditional short circuit current - Type gG	A	200	250	315	400					
WIRING										
Tightening torque	Nm	22		37		75				
Max. flexible wire	mm ²	70 ÷ 185		1 x 185 ÷ 2 x 185		2 x 185				
Max. rigid wire	mm ²	70 ÷ 185		1 x 185 ÷ 2 x 185		2 x 240				

NOTE: for versions from 200 ÷ 800A for applications with voltages ≥500V the phase barriers are required.

Wiring diagram



Auxiliary Contacts 16 A ÷ 160 A

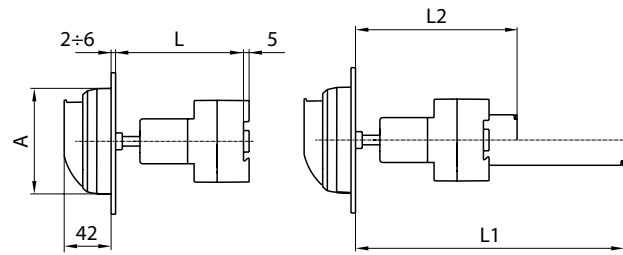
TECHNICAL DATA	
Type: Auxiliary Contacts NO or NC	Thermal current in Air (Ith): 16 A
Rated insulation voltage (Ui): 400 V	Thermal current in Boxes (Ithe): 10A
Conditional short circuit current (Icc - 400 V): 1 kA	Rated impulse withstand voltage (Uimp): 4 kV
Associated fuse size for conditional short circuit current - Type gG: 6A	Category of use AC15: 6A (230V)
Tightening torque: 0,8 Nm	3A (380V)

Auxiliary Contacts 200 A ÷ 800 A

TECHNICAL DATA	
Type: Auxiliary Contacts EB or NC	Thermal current in Air (Ith): 16 A
Rated insulation voltage (Ui): 690 V	Rated impulse withstand voltage (Uimp): 6 kV
Conditional short circuit current (Icc - 690 V): 1 kA	Category of use AC15: 6A (230V)
Associated fuse size for conditional short circuit current - Type gG: 10A	3A (380V)

Dimension tables

ROTARY ISOLATOR SWITCHES FOR BOARD: PANEL/DOOR MOUNTING 16 A ÷ 80 A

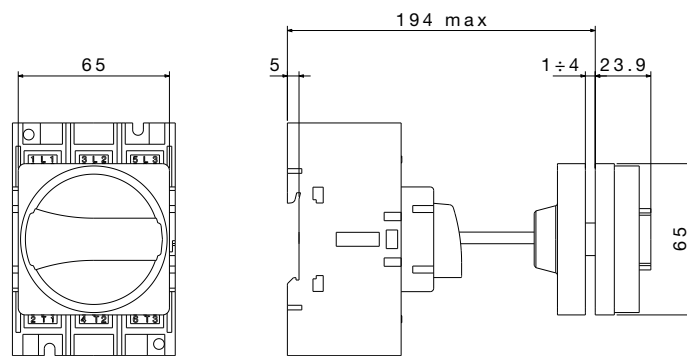


Isolator	WITHOUT BRACKETS		WITH BRACKETS		A
	Supplied with L	Adjustable up to L*	L1 max length obt.	L2 min length obt.**	
16A - 25A - 32A - 40A	145	87	(145+160) 305	(87+30) 117	ø 94
63A - 80A	177	114	(117+160) 337	(114+30) 144	ø 94

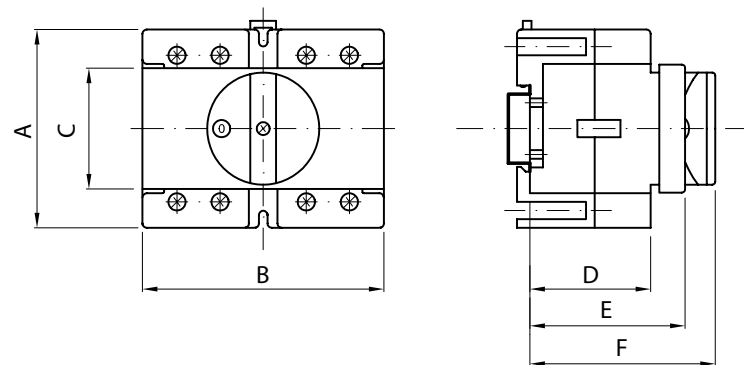
(*) Position obtainable by cutting the shaft supplied.

(**) Position obtainable by cutting both the shaft supplied, and the brackets, in the points shown.

ROTARY ISOLATOR SWITCHES FOR BOARD: PANEL/DOOR MOUNTING 100 A ÷ 160 A



ROTARY ISOLATOR SWITCHES FOR BOARD: DIN RAIL MOUNTING EN 50022 16 A ÷ 63 A

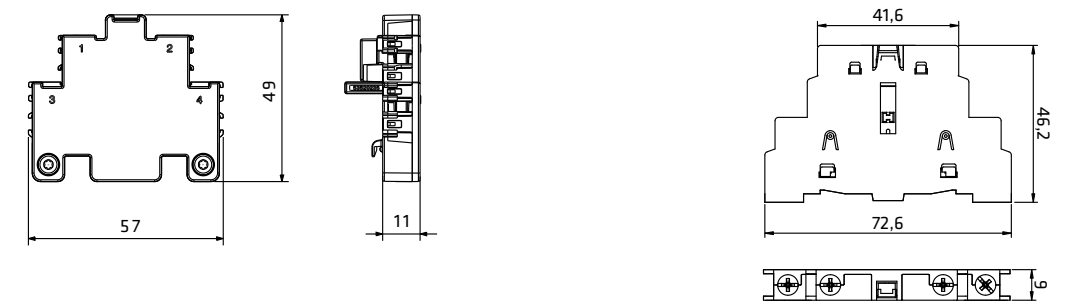


Type	A	B	C	D	E	F
16 - 32A	55	71 ●	45	37	53	68
63 A	73	89 ▲	45	44	56	68

★ Occupies 3 modules (17,5 mm). ● Occupies 4 modules (17,5 mm). ▲ Occupies 5 modules (17,5 mm).

Dimension tables

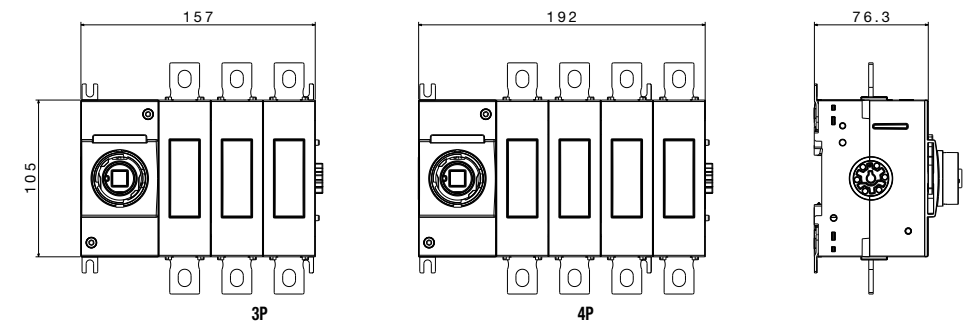
AUXILIARY CONTACTS 16 A ÷ 160 A



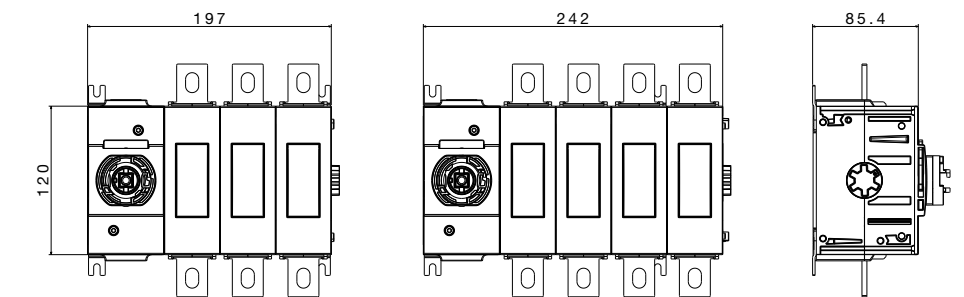
For isolator 16 - 25 - 32 - 40 - 63 - 80A

For isolator 100 - 125 - 160A and 16-100A 6P and 8P

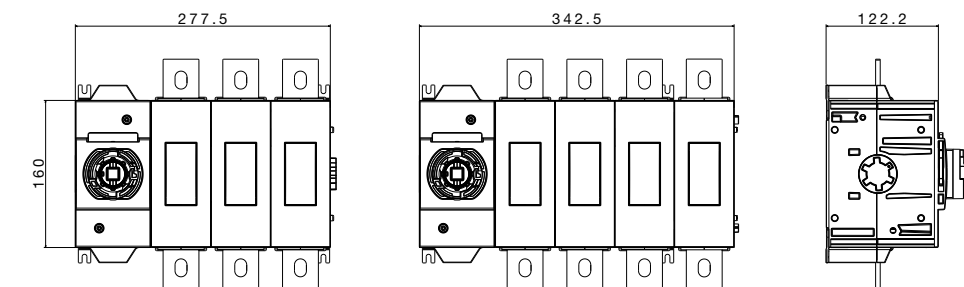
ROTARY ISOLATOR SWITCHES FOR BOARD: PANEL/DOOR MOUNTING 200 A - 250 A



ROTARY ISOLATOR SWITCHES FOR BOARD: PANEL/DOOR MOUNTING 315 A - 400 A

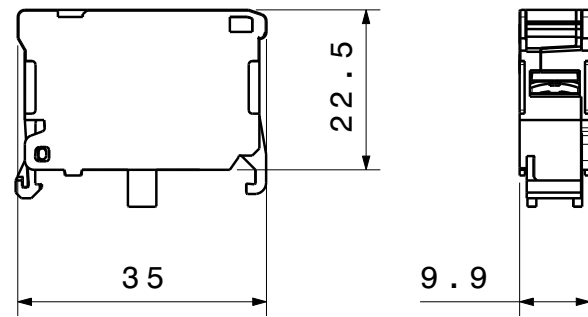


ROTARY ISOLATOR SWITCHES FOR BOARD: PANEL/DOOR MOUNTING 630 A - 800 A

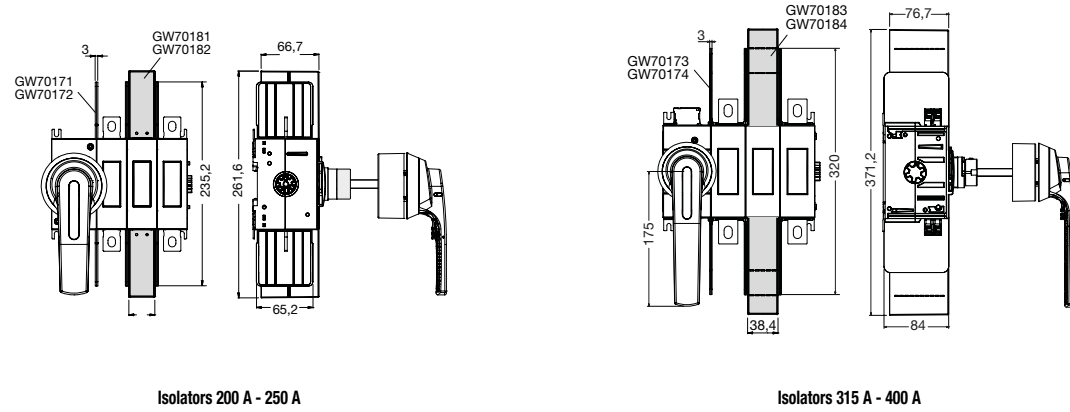


Dimension tables

AUXILIARY CONTACTS 200 A ÷ 400 A



PHASE BARRIERS AND TERMINAL COVERS 200 A ÷ 400 A

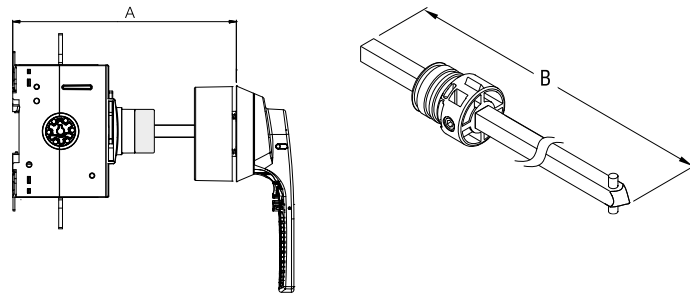


Isolators 200 A - 250 A

Isolators 315 A - 400 A

SHAFTS FOR PANEL/DOOR MOUNTING KNOB A 200 A ÷ 400 A

Isolator	A	B
200A - 250A	124 ÷ 244	200
	124 ÷ 344	300
315A - 400A	157 ÷ 277	200
	157 ÷ 377	300
630A - 800A	DATA TO BE REQUESTED TO OUR TECHNICAL ASSISTANCE SERVICE	



70 RT ATEX DISCONNECTORS - METAL BOX

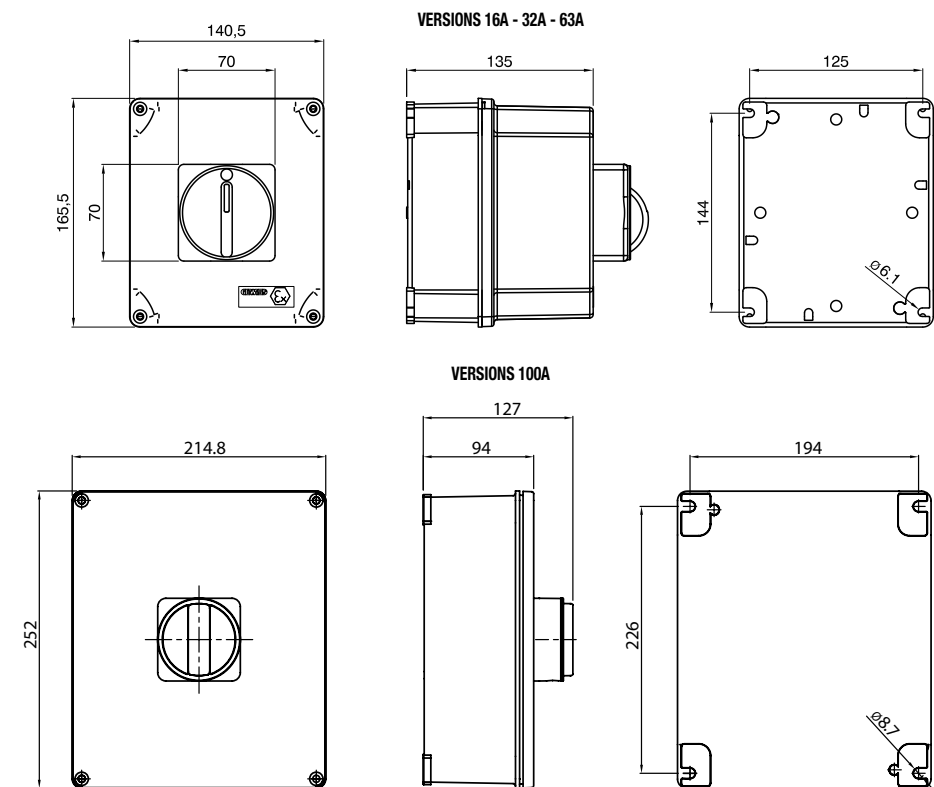
Switch disconnectors for command and emergency in aluminium box painted in Grey Ral 7037, suitable for use in **ZONE 22(D)** with rated current of 16-32-63-100A. Standard: EN 60947-3, EN 61241-0, EN60079-0, EN60079-31 - Dir. ATEX 94/9/CE.

TECHNICAL DATA					16A	32A	63A	100A
Vn insulation	Ui (IEC947-3)		V	800				
Vn of impulse withstand	Uimp (IEC947-3)		kV	8				
In thermal	In air	Ith (IEC947-3)	A	25	40	63	100	
	In box	Ithe (IEC947-3)	A	16	32	63	95	
In use	AC21A	Ie (IEC947-3)	400V	16	32	63	95	
	AC22A		400V	16	32	63	95	
Max power with three-phase motors	AC23A	IEC947-3	400V	kW	7	14	28	42
In short lifespan		Icw	A	400	800	1500	1500	
In cond. of short-circuiting		IEC947-3	kAeff	10	10	15	15	
CONNECTABLE SECTIONS								
Rigid cables	min-max	mm ²		1,5-16	1,5-16	2,5-35	10-70	
		AWG		16-6	16-6	14-3	8-00	
Flexible cables	min-max	mm ²		1,5-16	1,5-16	2,5-35	10-70	
		AWG		16-6	16-6	14-3	8-00	
CONDITIONS OF USE								
Ambient temperature	of storage		°C	-30; +70				
	of operation		°C	-25; +55				

Note: for the behaviour with chemical and atmospheric agents, contact SAT Customer Service (+ 39 035/946111).

Dimension tables

SWITCH DISCONNECTORS FOR COMMAND AND EMERGENCY



GEWISS

GEWISS S.p.A.

Registered Office: Via A. Volta, 1
24069 CENATE SOTTO BG - Italy
Tel. +39 035 946 111 - Fax +39 035 945 222
gewiss@gewiss.com - www.gewiss.com
Single shareholder company
Bergamo Business Register/VAT/Tax Code (IT) 00385040167
Economic and Administrative Index 107496
Share Capital 60,000,000.00 EUR fully paid up

Visit www.gewiss.com and follow us:

