



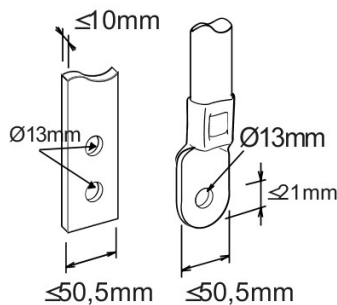
Omschrijving Interruttore non automatico scatolato
 Code MSXM 1250
 Aantal polen 3P
 Nominale stroom 1250 A
 Afschakelspoel -

ELECTRICAL CHARACTERISTICS

MECHANICAL CHARACTERISTICS

Standaard	IEC/EN 60947-2	Uitvoering	Vast
Gebruik categorie	AC-23A, DC-22A	DIN rail mounting	Nee
Nominale frequentie (Hz)	50 / 60	Accessoriabile con comando motore	Si
Rated operating voltage (Ue)	690 Vac - 250 Vdc	Compatible interlock	-
Nominale stoot-houdspanning (Uimp)	8 kV	Terminals supplied	Front FB Extended
Overspannings-categorie	IV	Montage-positie	Elke
Isolatiespanning (Ui)	800 V	Upline/downline power supply	Si
Thermal regulation	-	Electrical life (415Vac)	4.000 cycles
Magnetic regulation	-	Mechanical life	5.000 cycles
Neutral protection	-	Bedrijfstemperatuur	-5°C +65°C
Total power loss	210.93 W	Opslagtemperatuur	-20° +65°
Rated short-circuit current making capacity (Icm)	32	Gewicht (kg)	18.2
Rated short-time withstand current for 0,3s (Icw)	15 kA	Width	210 mm
I _{dn} regulation	-	Hoogte	370 mm
DT regulation	-	Diepte	120 mm
SERVICE BREAKING CAPACITY (ICU)		RATED BREAKING CAPACITY (ICS)	
220/240Vac	-	220/240Vac	-
400/415Vac	-	400/415Vac	-
440Vac	-	440Vac	-
525Vac	-	525Vac	-
690Vac	-	690Vac	-
250Vdc	-	250Vdc	-

DIMENSIONAL



STANDARDS/APPROVALS



GEWISS S.p.A. Via A. Volta, 1
24069 Cenate Sotto - Bergamo - Italy
tel. +39 035 94 61 11 fax +39 035 94 69 09

www.gewiss.com
sat@gewiss.com
Last update 18/07/2024

Data, measures, designs and pictures are shown
only as informative purposes,
and could be changed without previous notice