



Omschrijving Interruttore automatico scatolato
 Code MSXE 1600
 Aantal polen 4P
 Nominale stroom 1600 A
 Afschakelspoel Elektronisch

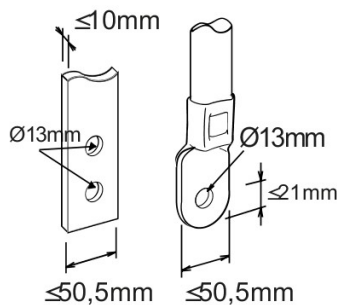
ELECTRICAL CHARACTERISTICS

Standaard	IEC/EN 60947-2
Gebruik categorie	B
Nominale frequentie (Hz)	50 / 60
Rated operating voltage (Ue)	690 Vac
Nominale stoot-houdspanning (Uimp)	8 kV
Overspannings-categorie	IV
Isolatiespanning (Ui)	800 V
Thermal regulation	0,4 - 0,5 - 0,63 - 0,8 - 0,9 - 0,95 - 1 x In
Magnetic regulation	Electronic LSIG
Neutral protection	50% - 100% x Ir
Total power loss	225.28 W
Rated short-circuit current making capacity (Icm)	20 kA
Rated short-time withstand current for 0,3s (Icw)	20 kA
I _{dn} regulation	-
DT regulation	-
SERVICE BREAKING CAPACITY (ICU)	
220/240Vac	85 kA
400/415Vac	50 kA
440Vac	45 kA
525Vac	30 kA
690Vac	20 kA
250Vdc	-

MECHANICAL CHARACTERISTICS

Uitvoering	Vast
DIN rail mounting	Nee
Accessoriabile con comando motore	Si
Compatible interlock	A filo (meccanismo in dotazione)
Terminals supplied	Front FB Extended
Montage-positie	Elke
Upline/downline power supply	Si
Electrical life (415Vac)	2.000 cycles
Mechanical life	5.000 cycles
Bedrijfstemperatuur	-5°C +65°C
Opslagtemperatuur	-20° +65°
Gewicht (kg)	35
Width	280 mm
Hoogte	370 mm
Diepte	140 mm
RATED BREAKING CAPACITY (ICS)	
220/240Vac	65 kA
400/415Vac	38 kA
440Vac	34 kA
525Vac	23 kA
690Vac	15 kA
250Vdc	-

DIMENSIONAL



STANDARDS/APPROVALS





GEWISS S.p.A. Via A. Volta, 1
24069 Cenate Sotto - Bergamo - Italy
tel. +39 035 94 61 11 fax +39 035 94 69 09

www.gewiss.com
sat@gewiss.com
Last update 18/07/2024

Data, measures, designs and pictures are shown
only as informative purposes,
and could be changed without previous notice