



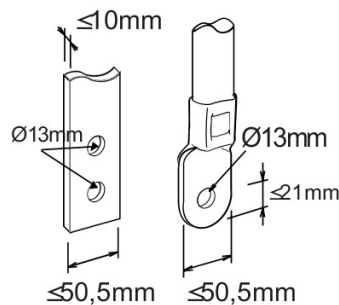
Omschrijving Interruttore automatico scatolato  
 Code MSXE 1600  
 Aantal polen 4P  
 Nominale stroom 1600 A  
 Afschakelspoel Elektronisch

#### ELECTRICAL CHARACTERISTICS

#### MECHANICAL CHARACTERISTICS

|   |  |                                      |                                  |
|---|--|--------------------------------------|----------------------------------|
| Standaard   | IEC/EN 60947-2                               | Uitvoering                           | Vast                             |
| Gebruik categorie                                 |  | B DIN rail mounting                  | Nee                              |
| Nominale frequentie (Hz)                          | 50 / 60                                      | Accessoriabile con comando motore    | Si                               |
| Rated operating voltage (Ue)                      | 690 Vac                                      | Compatible interlock                 | A filo (meccanismo in dotazione) |
| Nominale stoot-houdspanning (Uimp)                | 8 kV   | Terminals supplied                   | Front FB Extended                |
| Overspannings-categorie                           | IV   | Montage-positie                      | Elke                             |
| Isolatiespanning (Ui)                             | 800 V  | Upline/downline power supply         | Si                               |
| Thermal regulation                                | 0,4 - 0,5 - 0,63 - 0,8 - 0,9 - 0,95 - 1 x In | Electrical life (415Vac)             | 2.000 cycles                     |
| Magnetic regulation                               | Electronic LSI                               | Mechanical life                      | 5.000 cycles                     |
| Neutral protection                                | 50% - 100% x Ir                              | Bedrijfstemperatuur                  | -5°C +65°C                       |
| Total power loss                                  | 225.28 W                                     | Opslagtemperatuur                    | -20° +65°                        |
| Rated short-circuit current making capacity (Icm) |  | - Gewicht (kg)                       | 35                               |
| Rated short-time withstand current for 0,3s (Icw) | 20 kA  | Width                                | 280 mm                           |
| I <sub>dn</sub> regulation                        |  | - Hoogte                             | 370 mm                           |
| DT regulation                                     |  | - Diepte                             | 140 mm                           |
| <b>SERVICE BREAKING CAPACITY (ICU)</b>            |  | <b>RATED BREAKING CAPACITY (ICS)</b> |                                  |
| 220/240Vac  | 85 kA  | 220/240Vac                           | 65 kA                            |
| 400/415Vac  | 50 kA  | 400/415Vac                           | 38 kA                            |
| 440Vac  | 45 kA  | 440Vac                               | 34 kA                            |
| 525Vac  | 30 kA  | 525Vac                               | 23 kA                            |
| 690Vac  | 20 kA  | 690Vac                               | 15 kA                            |
| 250Vdc  | -  | 250Vdc                               | -                                |

#### DIMENSIONAL



#### STANDARDS/APPROVALS



GEWISS S.p.A. Via A. Volta, 1  
24069 Cenate Sotto - Bergamo - Italy  
tel. +39 035 94 61 11 fax +39 035 94 69 09

[www.gewiss.com](http://www.gewiss.com)  
[sat@gewiss.com](mailto:sat@gewiss.com)  
Last update 18/07/2024

Data, measures, designs and pictures are shown  
only as informative purposes,  
and could be changed without previous notice