



Omschrijving Interruttore automatico scatolato
 Code MSXE 1250
 Aantal polen 4P
 Nominale stroom 1250 A
 Afschakelspoel Elektronisch

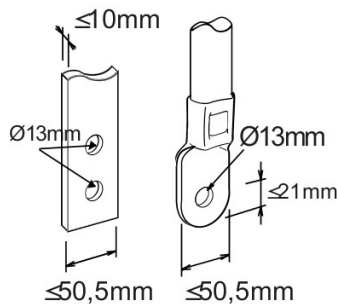
ELECTRICAL CHARACTERISTICS

Standaard	IEC/EN 60947-2	Uitvoering	Vast
Gebruik categorie		B DIN rail mounting	Nee
Nominale frequentie (Hz)	50 / 60	Accessoriabile con comando motore	Si
Rated operating voltage (Ue)	690 Vac	Compatible interlock	A filo (meccanismo in dotazione)
Nominale stoot-houdspanning (Uimp)	8 kV	Terminals supplied	Front FB Extended
Overspannings-categorie	IV	Montage-positie	Elke
Isolatiespanning (Ui)	800 V	Upline/downline power supply	Si
Thermal regulation	0,4 - 0,5 - 0,63 - 0,8 - 0,9 - 0,95 - 1 x In	Electrical life (415Vac)	4.000 cycles
Magnetic regulation	Electronic LSI	Mechanical life	5.000 cycles
Neutral protection	50% - 100% x Ir	Bedrijfstemperatuur	-5°C +65°C
Total power loss	281.24 W	Opslagtemperatuur	-20° +65°
Rated short-circuit current making capacity (Icm)		Gewicht (kg)	25
Rated short-time withstand current for 0,3s (Icw)	15 kA	Width	280 mm
I _{dn} regulation		Hoogte	370 mm
DT regulation		Diepte	120 mm

SERVICE BREAKING CAPACITY (ICU)

220/240Vac	85 kA	220/240Vac	65 kA
400/415Vac	50 kA	400/415Vac	38 kA
440Vac	45 kA	440Vac	34 kA
525Vac	30 kA	525Vac	23 kA
690Vac	20 kA	690Vac	15 kA
250Vdc	-	250Vdc	-

DIMENSIONAL



STANDARDS/APPROVALS





GEWISS S.p.A. Via A. Volta, 1
24069 Cenate Sotto - Bergamo - Italy
tel. +39 035 94 61 11 fax +39 035 94 69 09

www.gewiss.com
sat@gewiss.com
Last update 07/06/2024

Data, measures, designs and pictures are shown
only as informative purposes,
and could be changed without previous notice