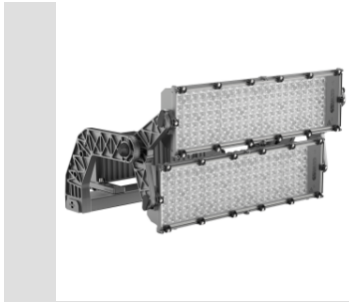


STADIUM PRO

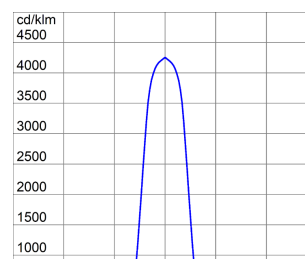
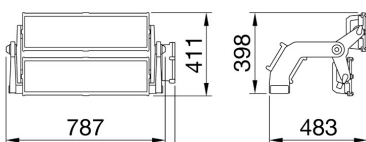


Spatium PRO | 2 is a high-power LED floodlight, with a high-emittance LES (light emitted surface), suitable for lighting professional and semi-professional sporting facilities. The floodlight has a graphite grey finish with trivalent treatment for maximum resistance to oxidation and is equipped with an integrated 'self-cleaning' heat dissipation system. It consists of 2 modules, each with a bleed and anti-condensation valve, protected from accidental impact. The rotation system between the brackets and optic modules is of the truncated-conical aluminium type, with an integrated goniometer in the bracket for easy control of orientation, and screw and grub screw fastening, which guarantees the fastness of each individual module over time. The floodlight is available in the following colour temperatures 4,000K or 5,700K and colour rendering CRI>70, CRI>80 o CRI>90 (TLCI>80). In addition, the range offers 6 types of circular optics, from 8° up to 40°, 1 symmetrical/elliptical optic and 2 asymmetric optics. The T.I.R.Ex. optic system developed by GEWISS with lenses in PMMA HT (high-transparency), gives complete control over the light beam, allowing for great flexibility in any project design, with high qualitative and quantitative performance. The power supply box can be installed on the bracket or remote, and is protected from surges up to 10KV, either in differential or common mode, with a single cable. The range requires a DALI2 or DMX-RDM power supply to permit the greatest flexibility in the creation of lighting scenarios, even of great complexity.

GENERAL INFORMATION		OPTIC AND ILLUMINATING FEATURES	
Context	Professional sport lighting	Optiek	Circular 30°
Luminaire	High power LED floodlight	Unified Glare Rating	ULOR = 0%
Toepassing	Binnenshuis / buitenshuis	Lumen-vermogen (lm)	113000
Unique digital code (Datamatrix)	Currently not present	Efficacy (lm/W)	118
Kleur	Grafiëtgrijs	Kleur temperatuur	5700 K
Type lichtbron	LED	Colour Rendering Index	CRI70
System vermogen	960 W	Standard Deviation Colour Matching	SDCM = 5
LED Lifetime	L90B10(Tq25°C)=40.000h; L80B10(Tq25°C)=75.000h	Photobiological Risk Class	-
Gewicht (kg)	18	Standaard	EN60598-1; EN60598-2-5; IEC 62471; IEC 62778
Garantie	5 jaar	ELETRICAL AND LIGHTING FEATURES	
Opslagtemperatuur	-	Voedings-spanning	See external supply unit
Operating temperature	-25 +50 °C	Nominale frequentie (Hz)	See external supply unit
MATERIALS		Driver	To be ordered separately
Body	Gietaluminium	Driver failure rate	See external supply unit
Type plaat	Flat tempered glass 4mm	Overvoltage protection	See external supply unit
Optic	T.I.R.Ex. Optical PMMA HT	Control System	See external supply unit
Gasket	Anti-aging silicone	INSTALLATION AND MAINTENANCE	
Locking Hook	-	Mounting and installation	Lighting tower - Surface
External screw	Stainless steel	Tilt	Rotation on bracket with integrated goniometer
Colour	Polyester powder coated	Wiring	Watertight connector between floodlight and power supply unit
STANDARDS AND APPROVALS		Bevestiging	Beugel
Classificering	-	Light souce replaceability	By professional
Toestel met verlaagde oppervlaktetemperatuur	-	Controlgear replaceability	By professional
DIN 18032-3-certificering	Available	Driver Box	Extern
IPEA	-	Maximum surface exposed to the wind	0,24 m2
Isolatie-klasse	I		-
IP-graad	IP66		-
Stootbestendigheid	IK08		-
Glow Wire Test	-		-

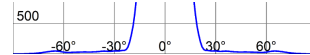
DIMENSIONAL

PHOTOMETRIC DISTRIBUTION



Data, measures, designs and pictures are for information purpose only, last update 18/07/2024. They can be changed at any moment, therefore it is always recommended to read the last updated version published on the website www.gewiss.com. Lumen output and system power are subject to a tolerance of +/- 10%. Unless stated otherwise, the values apply to an ambient temperature of 25°C. Terms of warranty at <https://www.gewiss.com/it/en/company/landingpage/led-warranty>. - 1 of 2

STADIUM PRO



TECHNICAL SYMBOLOGY



0,24 m2



IP
IP66

IK
IK08

GWT
-

STANDARDS/APPROVALS

