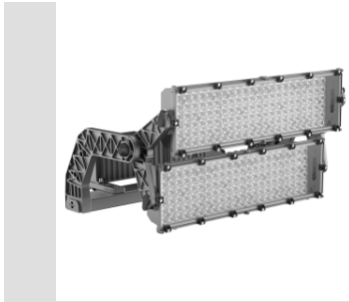


STADIUM PRO



Spatium PRO | 2 is a high-power LED floodlight, with a high-emittance LES (light emitted surface), suitable for lighting professional and semi-professional sporting facilities. The floodlight has a graphite grey finish with trivalent treatment for maximum resistance to oxidation and is equipped with an integrated 'self-cleaning' heat dissipation system. It consists of 2 modules, each with a bleed and anti-condensation valve, protected from accidental impact. The rotation system between the brackets and optic modules is of the truncated-conical aluminium type, with an integrated goniometer in the bracket for easy control of orientation, and screw and grub screw fastening, which guarantees the fastness of each individual module over time. The floodlight is available in the following colour temperatures 4,000K or 5,700K and colour rendering CRI>70, CRI>80 o CRI>90 (TLCI>80). In addition, the range offers 6 types of circular optics, from 8° up to 40°, 1 symmetrical/elliptical optic and 2 asymmetric optics. The T.I.R.Ex. optic system developed by GEWISS with lenses in PMMA HT (high-transparency), gives complete control over the light beam, allowing for great flexibility in any project design, with high qualitative and quantitative performance. The power supply box can be installed on the bracket or remote, and is protected from surges up to 10KV, either in differential or common mode, with a single cable. The range requires a DALI2 or DMX-RDM power supply to permit the greatest flexibility in the creation of lighting scenarios, even of great complexity.

**GENERAL INFORMATION**

Context	Professional sport lighting
Luminaire	High power LED floodlight
Toepassing	Binnenshuis / buitenshuis
Unique digital code (Datamatrix)	Currently not present
Kleur	Grafiëtgrijs
Type lichtbron	LED
System vermogen	960 W
LED Lifetime	L90B10(Tq25°C)=40.000h; L80B10(Tq25°C)=75.000h
Gewicht (kg)	18
Garantie	5 jaar
Opslagtemperatuur	-
Operating temperature	-25 +50 °C
<b>MATERIALS</b>	-
Body	Gietaluminium
Type plaat	Flat tempered glass 4mm
Optic	T.I.R.Ex. Optical PMMA HT
Gasket	Anti-aging silicone
Locking Hook	-
External screw	Stainless steel
Colour	Polyester powder coated

**OPTIC AND ILLUMINATING FEATURES**

Optiek	Asymmetric 60°
Unified Glare Rating	ULOR = 0%
Lumen-vermogen (lm)	86000
Efficacy (lm/W)	90
Kleur temperatuur	5700 K
Colour Rendering Index	CRI 80
Standard Deviation Colour Matching	SDCM = 3
Photobiological Risk Class	-
Standaard	EN60598-1; EN60598-2-5; IEC 62471; IEC 62778

**ELECTRICAL AND LIGHTING FEATURES**

Voedings-spanning	See external supply unit
Nominale frequentie (Hz)	See external supply unit
Driver	To be ordered separately
Driver failure rate	See external supply unit
Overvoltage protection	See external supply unit
Control System	See external supply unit

**INSTALLATION AND MAINTENANCE**

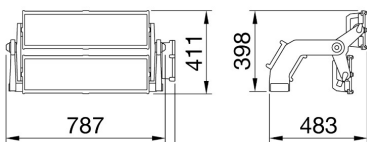
Mounting and installation	Lighting tower - Surface
Tilt	Rotation on bracket with integrated goniometer
Wiring	Watertight connector between floodlight and power supply unit
Bevestiging	Beugel
Light source replaceability	By professional
Controlgear replaceability	By professional

**STANDARDS AND APPROVALS**

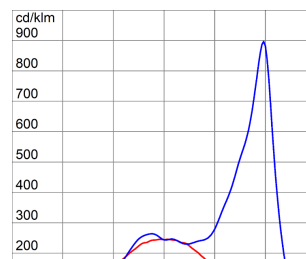
Classificering	-
Toestel met verlaagde oppervlaktetemperatuur	-
DIN 18032-3-certificering	Available
IPEA	-
Isolatie-klasse	I
IP-graad	IP66
Stootbestendigheid	IK08
Glow Wire Test	-

Driver Box	Extern
Maximum surface exposed to the wind	0,24 m2

**DIMENSIONAL**

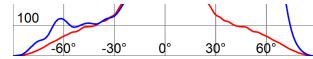


**PHOTOMETRIC DISTRIBUTION**



Data, measures, designs and pictures are for information purpose only, last update 01/07/2024. They can be changed at any moment, therefore it is always recommended to read the last updated version published on the website [www.gewiss.com](http://www.gewiss.com). Lumen output and system power are subject to a tolerance of +/- 10%. Unless stated otherwise, the values apply to an ambient temperature of 25°C. Terms of warranty at <https://www.gewiss.com/en/company/landingpage/led-warranty>. - 1 of 2

### STADIUM PRO



### TECHNICAL SYMBOLOGY



**IP**  
IP66

**IK**  
IK08

**GWT**  
-

### STANDARDS/APPROVALS

