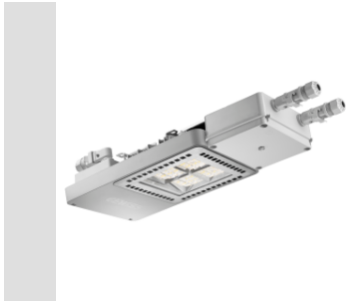


SMART [4]



Smart [4] is a series of LED indoor appliances suitable for the lighting of industries and sports facilities. It is available in HE (High Efficiency), HLO (High Lumen Output) and integrated DALI Emergency. Three different sizes available: 1M, 2M and 4M. The body is made of "Halogen-free" nylon loaded with grey glass fibre (RAL7035) with vent and anti-condensation device, heat dissipation device in aluminium alloy EN AB 44300. It is equipped with a dual optical system that includes a metallic reflector with ARRAY optics and a metallic reflector with UV stabilized PMMA lenses, with high efficiency, which allow a wide variety of light distributions 30°, 60°, 90°, Asymmetric and Elliptical. The version with through wiring has pre-wired mechanical and electrical connection components. Suspension, wall and projection appliances can be installed. It is available with three types of Colour Temperature (3000K / 4000K / 5700K), Color Rendering Index CRI>80 and two power supply options (ON/OFF or DALI).

GENERAL INFORMATION

Context	Logistics and industrial manufacturing lighting
Luminaire	LED Industrial Reflector
Toepassing	Intern
Unique digital code (Datamatrix)	Datamatrix
Kleur	Grijs RAL 7035
Type lichtbron	LED
System power	48 W (+5W Emerg.)
LED Lifetime	L90B10(Tq25°C)>150.000h; L90B10(Tq40°C)=140.000h
Gewicht (kg)	5
Garantie	5 jaar
Opslagtemperatuur	-40 +70 °C
Operating temperature	0 + +40 °C

OPTIC AND ILLUMINATING FEATURES

Optiek	30°
Unified Glare Rating	UGR ≤ 22
Lumen output (lm)	7200 (900 Em.)
Efficacy (lm/W)	150
Kleur temperatuur	3000 K
Colour Rendering Index	CRI>80
Standard Deviation Colour Matching	SDCM = 3
Photobiological Risk Class	RG0
Standaard	EN 60598-2-22 ; EN 60598-1 ; EN 60598-2-24

MATERIALS

Body	PA6 "Halogen Free" loaded fibreglass
Type plaat	Tempered glass Thickness 4mm
Optic	Metallic PC reflector and PMMA lenses
Gasket	anti-aging silicone
Locking Hook	-
External screw	Roestvrij staal
Colour	Grijs RAL 7035

ELETRICAL AND LIGHTING FEATURES

Voedings-spanning	220 - 240 V
Nominale frequentie (Hz)	50/60 Hz
Driver	Included
Driver failure rate	F10=100.000h Tq25°C/50.000h Tq40°C
Overvoltage protection	DM 6 kV / CM 10 kV
Control System	1 x DALI DT6 + 1 x DALI DT1 (Emerg. 3h)

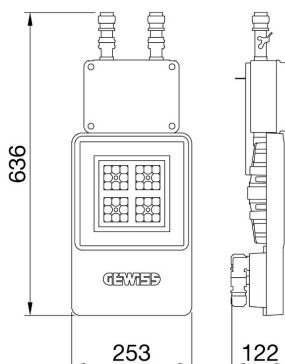
STANDARDS AND APPROVALS

Classificering	-
Toestel met verlaagde oppervlaktetemperatuur	Ja
DIN 18032-3-certificering	Available (under certain installation conditions)
IPEA	-
Isolatie-klasse	I
IP-graad	IP65
Stootbestendigheid	IK08
Glow Wire Test	850 °C

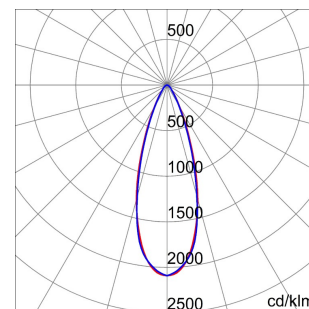
INSTALLATION AND MAINTENANCE

Mounting and installation	Ceiling light - Suspension
Tilt	-
Wiring	With GW connect watertight connector
Bevestiging	-
Light source replaceability	By professional
Controlgear replaceability	By professional

DIMENSIONAL



PHOTOMETRIC DISTRIBUTION



SMART [4]

TECHNICAL SYMBOLOGY



0,140 m²



IP
IP65

IK
IK08

GWT
850 °C

STANDARDS/APPROVALS

