

On request



ELIA FL is a LED outdoor floodlight available in low, medium and high power versions for lighting external industrial areas, such as car parks and walkways or driveways. It can be mounted on surfaces, ceilings or on the ground using the adjustable steel bracket supplied with the device, or in the pole head version, courtesy of the dedicated accessory for poles with a diameter of up to 61mm. Crafted from black powder-coated die-cast aluminium, it is available in four sizes and powers, with integrated power supply in the On/Off or DALI options, three types of optic (30°, 60° and asymmetrical) with a colour temperature of 4.000K (neutral white) and a colour rendering index of more than 80. Tough and durable, ELIA FL has been designed to withstand surges of up to 10KV and temperature variations from -30 °C to + 50 °C, and offers protection from water and dust penetration of up to level IP66 and from shocks and impacts of up to level IK08. ELIA FL is quick and easy to install thanks to its limited weight and adjustable bracket.

GENERAL INFORMATION

Context	Industry, Logistic, Façade, Sport
Luminaire	LED luminaire with small, mid and high lumen power
Toepassing	Binnenshuis / buitenshuis
Unique digital code (Datamatrix)	Currently not present
Kleur	Zwart
Type lichtbron	LED
System vermogen	200 W
LED Lifetime	L80B50 (Tq25°) = 89.000h
Gewicht (kg)	6.3
Garantie	5 jaar
Opslagtemperatuur	-40° +85°
Operating temperature	-30° +50°

OPTIC AND ILLUMINATING FEATURES

Optiek	Asymmetrisch
Unified Glare Rating	ULOR = 0%
Lumen-vermogen (lm)	26000
Efficacy (lm/W)	130
Kleur temperatuur	4000 K
Colour Rendering Index	CRI 80
Standard Deviation Colour Matching	SDCM = 5
Photobiological Risk Class	RG0
Standaard	-

MATERIALS

Body	Gietaluminium
Type plaat	Flat silked tempered glass 4mm thick with Gewiss logo
Optic	With high efficiency optic system
Gasket	-
Locking Hook	-
External screw	Roestvrij staal
Colour	Powder coating

ELECTRICAL AND LIGHTING FEATURES

Driver	Included
Driver failure rate	F10 = 80.000h Tq25°C
Overvoltage protection	Overvoltage protection 10-6kV
Control System	AAN UIT
Mounting and installation	Ceiling - Wall - Floor
Tilt	With adjustable bracket assembled
Wiring	With power cable
Bevestiging	-
Light source replaceability	By professional
Controlgear replaceability	By professional
Driver Box	Ingebouwd
Maximum surface exposed to the wind	0.15 m²
Isolatie-klasse	I
IP-graad	IP66
Stootbestendigheid	IK08
Glow Wire Test	750 °C

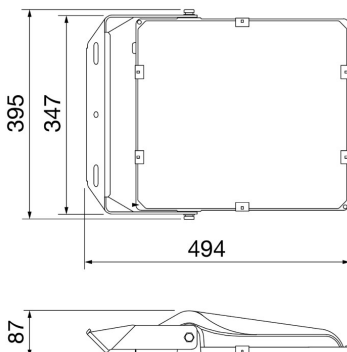
STANDARDS AND APPROVALS

Classificering	-
Toestel met verlaagde oppervlaktetemperatuur	-
DIN 18032-3-certificering	-
IPEA	-
IP-graad	IP66
Stootbestendigheid	IK08
Glow Wire Test	750 °C

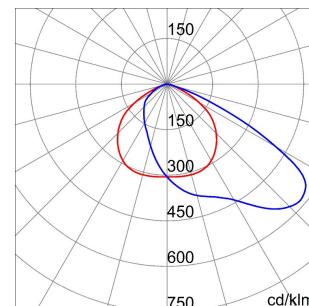
INSTALLATION AND MAINTENANCE

Mounting and installation	Ceiling - Wall - Floor
Tilt	With adjustable bracket assembled
Wiring	With power cable
Bevestiging	-
Light source replaceability	By professional
Controlgear replaceability	By professional

DIMENSIONAL



PHOTOMETRIC DISTRIBUTION



On request

TECHNICAL SYMBOLOGY



IP
IP66

IK
IK08

GWT
750 °C

STANDARDS/APPROVALS

