

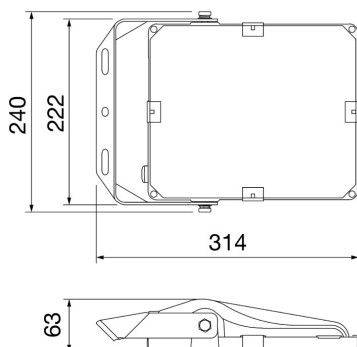
On request



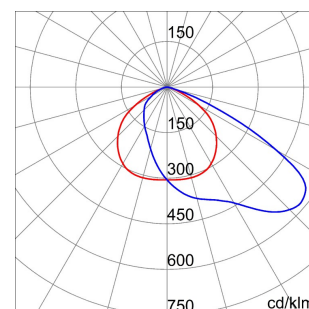
ELIA FL is a LED outdoor floodlight available in low, medium and high power versions for lighting external industrial areas, such as car parks and walkways or driveways. It can be mounted on surfaces, ceilings or on the ground using the adjustable steel bracket supplied with the device, or in the pole head version, courtesy of the dedicated accessory for poles with a diameter of up to 61mm. Crafted from black powder-coated die-cast aluminium, it is available in four sizes and powers, with integrated power supply in the On/Off or DALI options, three types of optic (30°, 60° and asymmetrical) with a colour temperature of 4.000K (neutral white) and a colour rendering index of more than 80. Tough and durable, ELIA FL has been designed to withstand surges of up to 10KV and temperature variations from -30 °C to + 50 °C, and offers protection from water and dust penetration of up to level IP66 and from shocks and impacts of up to level IK08. ELIA FL is quick and easy to install thanks to its limited weight and adjustable bracket.

| GENERAL INFORMATION | | OPTIC AND ILLUMINATING FEATURES | |
|--|---|-------------------------------------|-----------------------------------|
| Context | Industry, Logistic, Façade, Sport | Optiek | Asymmetrisch |
| Luminaire | LED luminaire with small, mid and high lumen power | Unified Glare Rating | ULOR = 0% |
| Toepassing | Binnenshuis / buitenshuis | Lumen-vermogen (lm) | 6600 |
| Unique digital code (Datamatrix) | Currently not present | Efficacy (lm/W) | 132 |
| Kleur | Zwart | Kleur temperatuur | 4000 K |
| Type lichtbron | LED | Colour Rendering Index | CRI 80 |
| System vermogen | 50 W | Standard Deviation Colour Matching | SDCM = 5 |
| LED Lifetime | L80B50 (Tq25°) = 89.000h | Photobiological Risk Class | RG0 |
| Gewicht (kg) | 2.6 | Standaard | - |
| Garantie | 5 jaar | ELETRICAL AND LIGHTING FEATURES | |
| Opslagtemperatuur | -40° +85° | Voedings-spanning | 100-240 V |
| Operating temperature | -30° +50° | Nominale frequentie (Hz) | 50 / 60 |
| MATERIALS | | Driver | Included |
| Body | Gietaluminium | Driver failure rate | F10 = 80.000h Tq25°C |
| Type plaat | Flat silked tempered glass 4mm thick with Gewiss logo | Overvoltage protection | Overvoltage protection 6-4kV |
| Optic | With high efficiency optic system | Control System | AAN UIT |
| Gasket | - | INSTALLATION AND MAINTENANCE | |
| Locking Hook | - | Mounting and installation | Ceiling - Wall - Floor |
| External screw | Roestvrij staal | Tilt | With adjustable bracket assembled |
| Colour | Powder coating | Wiring | With power cable |
| STANDARDS AND APPROVALS | | Bevestiging | - |
| Classificering | - | Light source replaceability | By professional |
| Toestel met verlaagde oppervlaktetemperatuur | - | Controlgear replaceability | By professional |
| DIN 18032-3-certificering | Not available | Driver Box | Ingebouwd |
| IPEA | - | Maximum surface exposed to the wind | 0.05 m² |
| Isolatie-klasse | I | - | - |
| IP-graad | IP66 | - | - |
| Stootbestendigheid | IK08 | - | - |
| Glow Wire Test | 750 °C | - | - |

DIMENSIONAL



PHOTOMETRIC DISTRIBUTION



On request

TECHNICAL SYMBOLOGY



IP
IP66

IK
IK08

GWT
750 °C

STANDARDS/APPROVALS

