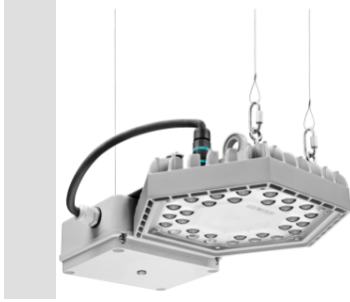


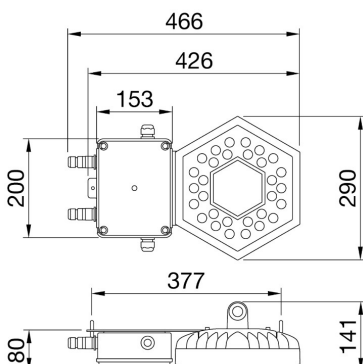
ESALITE HB Industriële toestellen



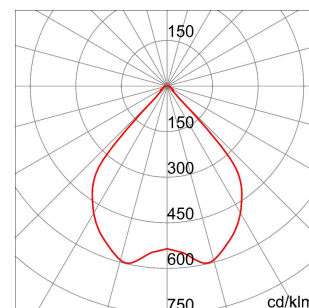
Industrial LED lighting fixture made of die-cast EN AB 46100 aluminum with polyester powder coating. Correct lighting is provided by an optical system composed of different versions of lenses. Silicone gaskets, breathing and anti-condensation device in Goretex, waterproof connectors for 1.5 mm² cables and stainless steel external screws. Suspension fixing system with steel cables. The die-cast aluminum structure guarantees optimal performance conditions both @ Ta25 ° and @ Ta50 ° thanks to specific thermal sizing tests. The correct heat dispersion inside ESALITE is guaranteed by the special passive heat sink with a very low copper content that offers high qualitative and quantitative performances. Permanent emergency version with 3h autonomy and high temperature NiMH batteries. Signalling LED for charge status.

GENERAL INFORMATION		OPTIC AND ILLUMINATING FEATURES	
Context	Logistics and industrial manufacturing lighting	Optiek	Wide 90°
Luminaire	LED Industrial Reflector	Unified Glare Rating	UGR ≤ 25
Toepassing	Intern	Lumen output (lm)	6700 (650 em.)
Unique digital code (Datamatrix)	Datamatrix	Efficacy (lm/W)	129
Kleur	Grey RAL 9006	Kleur temperatuur	4000 K
Type lichtbron	LED	Colour Rendering Index	CRI>80
System power	52W (+5W Emerg.)	Standard Deviation Colour Matching	SDCM = 3
LED Lifetime	L90B10 (Tq 25°) 100000 h; L90B10 (Tq 50°) 55000 h	Photobiological Risk Class	RG0
Gewicht (kg)	4.5	Standaard	EN60598-1; EN60598-2-22; IEC 62778; IEC62471
Garantie	5 jaar	ELETRICAL AND LIGHTING FEATURES	
Opslagtemperatuur	0°C + +50°C / HR 10% + 85%	Voedings-spanning	220-240 V
Operating temperature	0°C + +40 °C	Nominale frequentie (Hz)	50 / 60
MATERIALS		INSTALLATION AND MAINTENANCE	
Body	Gietaluminium	Driver	-
Type plaat	High transparency PMMA	Driver failure rate	-
Optic	PMMA lens	Overvoltage protection	DM 6KV / CM 8KV
Gasket	Silicon	Control System	DALI
Locking Hook	-	INSTALLATION AND MAINTENANCE	
External screw	Stainless steel	Mounting and installation	Suspended
Colour	Polyester powder coated	Tilt	Not possible
STANDARDS AND APPROVALS		Wiring	With watertight connector
Classificering	Emergency 3h	Bevestiging	-
Toestel met verlaagde oppervlaktetemperatuur	-	Light souce replaceability	Non-replaceable
DIN 18032-3-certificering	Nee	Controlgear replaceability	By professional
IPEA	-	Driver Box	Ingebouwd
Isolatie-klasse	I	Maximum surface exposed to the wind	0,06 m ²
IP-graad	IP55	-	
Stootbestendigheid	IK06	-	
Glow Wire Test	650 °C	-	

DIMENSIONAL



PHOTOMETRIC DISTRIBUTION



ESALITE HB
Industriële toestellen



TECHNICAL SYMBOLOGY



0,06 m²



IP
IP55

IK
IK06

GWT
650 °C

STANDARDS/APPROVALS

