

ELIA FL Mini



ELIA FL Mini is a low-power LED floodlight for indoor and outdoor architectural lighting for both residential and professional applications, such as façades, gardens, green areas and walkways. Available in 2 sizes and 3 power steps (10 W, 20 W and 30 W), the range allows for great flexibility with its multiple possible combinations: 2 colour temperature options (3,000 K warm white and 4,000 K neutral white) with a colour rendering index of more than 80, and 2 optics options (100° or asymmetrical). The fixture is equipped with an integrated On/Off electronic power supply, and it is also available with an integrated motion and luminosity sensor. The luminaire can be ceiling, wall or floor-mounted through the integrated adjustable steel bracket, and thanks to its black powder-coated die-cast aluminium body and its front glass, it is tough, durable and able to withstand harsh environmental conditions.

GENERAL INFORMATION

| | |
|----------------------------------|--------------------------------------------------------|
| Context | Residential facades, outdoor areas and garden lighting |
| Luminaire | Low-power LED floodlight with built-in sensor |
| Toepassing | Binnenshuis / buitenshuis |
| Unique digital code (Datamatrix) | Currently not present |
| Kleur | Zwart |
| Type lichtbron | LED |
| System vermogen | 30 W |
| LED Lifetime | L80B50 (Tq=25°C) > 90.000 h |
| Gewicht (kg) | 1.1 |
| Garantie | 3 jaar |
| Opslagtemperatuur | -40° +80° |
| Operating temperature | -20 +40 °C |

OPTIC AND ILLUMINATING FEATURES

| | |
|------------------------------------|--------------------------------------------------|
| Optiek | 100° |
| Unified Glare Rating | ULOR = 0% |
| Lumen-vermogen (lm) | 4000 |
| Efficacy (lm/W) | 133 |
| Kleur temperatuur | 4000 K |
| Colour Rendering Index | CRI 80 |
| Standard Deviation Colour Matching | SDCM = 5 |
| Photobiological Risk Class | RG1 |
| Standaard | EN 60598-1; EN 60598-2-5; IEC/TR 62778; EN 62493 |

MATERIALS

| | |
|----------------|---------------------------------------------------|
| Body | Gietaluminium |
| Type plaat | Tempered 4mm-thick surface glass with Gewiss logo |
| Optic | High-efficiency lens and reflector unit |
| Gasket | - |
| Locking Hook | - |
| External screw | Stainless steel |
| Colour | Powder coating |

ELETRICAL AND LIGHTING FEATURES

| | |
|--------------------------|--------------------------|
| Voedings-spanning | 220-240 V |
| Nominale frequentie (Hz) | 50/60 Hz |
| Driver | Ingebouwd |
| Driver failure rate | F10 (Tq=25°C) > 80.000 h |
| Overvoltage protection | DM 1KV / CM 2KV |
| Control System | PIR Sensor |

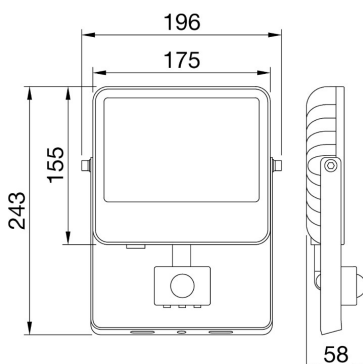
STANDARDS AND APPROVALS

| | |
|----------------------------------------------|-----------------|
| Classificering | - |
| Toestel met verlaagde oppervlaktetemperatuur | - |
| DIN 18032-3-certificering | Not available |
| IPEA | Green Areas A5+ |
| Isolatie-klasse | I |
| IP-graad | IP65 |
| Stootbestendigheid | IK08 |
| Glow Wire Test | 750 °C |

INSTALLATION AND MAINTENANCE

| | |
|-----------------------------|------------------------|
| Mounting and installation | Ceiling - Wall - Floor |
| Tilt | Rotation on bracket |
| Wiring | With power cable |
| Bevestiging | Via integrated bracket |
| Light source replaceability | Non-replaceable |
| Controlgear replaceability | Non-replaceable |

DIMENSIONAL



PHOTOMETRIC DISTRIBUTION

ELIA FL Mini



TECHNICAL SYMBOLOGY



0,04 m2



IP
IP65

IK
IK08

GWT
750 °C

STANDARDS/APPROVALS

