

### ELIA FL Mini



ELIA FL Mini is a low-power LED floodlight for indoor and outdoor architectural lighting for both residential and professional applications, such as façades, gardens, green areas and walkways. Available in 2 sizes and 3 power steps (10 W, 20 W and 30 W), the range allows for great flexibility with its multiple possible combinations: 2 colour temperature options (3,000 K warm white and 4,000 K neutral white) with a colour rendering index of more than 80, and 2 optics options (100° or asymmetrical). The fixture is equipped with an integrated On/Off electronic power supply, and it is also available with an integrated motion and luminosity sensor. The luminaire can be ceiling, wall or floor-mounted through the integrated adjustable steel bracket, and thanks to its black powder-coated die-cast aluminium body and its front glass, it is tough, durable and able to withstand harsh environmental conditions.

#### GENERAL INFORMATION

Context	Residential facades, outdoor areas and garden lighting
Luminaire	Low-power LED floodlight with built-in sensor
Toepassing	Binnenshuis / buitenshuis
Unique digital code (Datamatrix)	Currently not present
Kleur	Zwart
Type lichtbron	LED
System vermogen	30 W
LED Lifetime	L80B50 (Tq=25°C) > 90.000 h
Gewicht (kg)	1.1
Garantie	3 jaar
Opslagtemperatuur	-40° +80°
Operating temperature	-20 +40 °C

#### OPTIC AND ILLUMINATING FEATURES

Optiek	100°
Unified Glare Rating	ULOR = 0%
Lumen-vermogen (lm)	3900
Efficacy (lm/W)	130
Kleur temperatuur	3000 K
Colour Rendering Index	CRI 80
Standard Deviation Colour Matching	SDCM = 5
Photobiological Risk Class	RG1
Standaard	EN 60598-1; EN 60598-2-5; IEC/TR 62778; EN 62493

#### MATERIALS

Body	Gietaluminium
Type plaat	Tempered 4mm-thick surface glass with Gewiss logo
Optic	High-efficiency lens and reflector unit
Gasket	-
Locking Hook	-
External screw	Stainless steel
Colour	Powder coating

#### ELETRICAL AND LIGHTING FEATURES

Voedings-spanning	220-240 V
Nominale frequentie (Hz)	50/60 Hz
Driver	Ingebouwd
Driver failure rate	F10 (Tq=25°C) > 80.000 h
Overvoltage protection	DM 1KV / CM 2KV
Control System	PIR Sensor

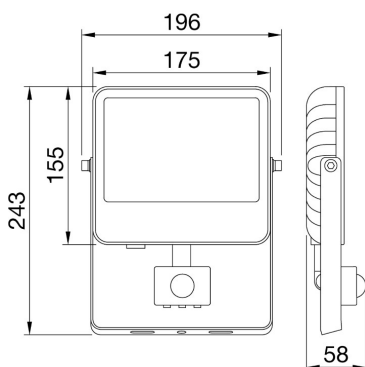
#### STANDARDS AND APPROVALS

Classificering	-
Toestel met verlaagde oppervlaktetemperatuur	-
DIN 18032-3-certificering	Not available
IPEA	Green Areas A5+
Isolatie-klasse	I
IP-graad	IP65
Stootbestendigheid	IK08
Glow Wire Test	750 °C

#### INSTALLATION AND MAINTENANCE

Mounting and installation	Ceiling - Wall - Floor
Tilt	Rotation on bracket
Wiring	With power cable
Bevestiging	Via integrated bracket
Light souce replaceability	Non-replaceable
Controlgear replaceability	Non-replaceable

#### DIMENSIONAL



#### PHOTOMETRIC DISTRIBUTION

ELIA FL Mini



### TECHNICAL SYMBOLOGY



0,04 m<sup>2</sup>



**IP**  
IP65

**IK**  
IK08

**GWT**  
750 °C

### STANDARDS/APPROVALS

