

### ELIA FL



ELIA FL is an LED floodlight, available in medium and high-power versions for outdoor and indoor applications in industrial, tertiary and sports contexts, such as façades, warehouses, car parks and sports fields. Available in 4 different sizes and power steps (50 W, 100 W, 150 W and 200 W), the range allows for great flexibility with its multiple possible combinations: 3 colour temperature options (3,000 K warm white, 4,000 K neutral white and 5,700 K cool white) with a colour rendering index of more than 80; 2 integrated power supply options (On/Off and DALI); and 2 optics options (60° and asymmetrical). The luminaire can be ceiling, wall or floor-mounted through the integrated adjustable steel bracket with a protractor, or pole-mounted (in poles with diameter up to 61 mm) through a dedicated accessory (to be ordered separately). Thanks to its black powder-coated die-cast aluminium body and its front glass, the fixture is tough, durable (IP66 and IK08) and is able to withstand harsh environmental conditions (such as ambient temperature variations from -30°C to +50°C).

#### GENERAL INFORMATION

Context	Industry, logistics, facades, sporting facilities and outdoor area lighting
Luminaire	LED luminaire with mid and high lumen power
Toepassing	Binnenshuis / buitenshuis
Unique digital code (Datamatrix)	Currently not present
Kleur	Zwart
Type lichtbron	LED
System vermogen	150 W
LED Lifetime	L80B50 (Tq=25°C) = 80.000 h
Gewicht (kg)	3.6
Garantie	5 jaar
Opslagtemperatuur	-40° +80°

#### OPTIC AND ILLUMINATING FEATURES

Optiek	Asymmetrisch
Unified Glare Rating	ULOR = 0%
Lumen-vermogen (lm)	19900
Efficacy (lm/W)	133
Kleur temperatuur	3000 K
Colour Rendering Index	CRI 80
Standard Deviation Colour Matching	SDCM = 5
Photobiological Risk Class	RG1
Standaard	EN 60598-1; EN 60598-2-5; IEC/TR 62778; EN 62493

#### MATERIALS

Body	Gietaluminium
Type plaat	Tempered 4mm-thick surface glass with Gewiss logo
Optic	High-efficiency lens and reflector unit
Gasket	-
Locking Hook	-
External screw	Stainless steel

#### ELECTRICAL AND LIGHTING FEATURES

Voedings-spanning	220-240 V
Nominale frequentie (Hz)	50/60 Hz
Driver	Ingebouwd
Driver failure rate	F10 (Tq=25°C) > 80.000 h
Overvoltage protection	DM 4 kV/ CM 4 kV
Control System	ON / OFF

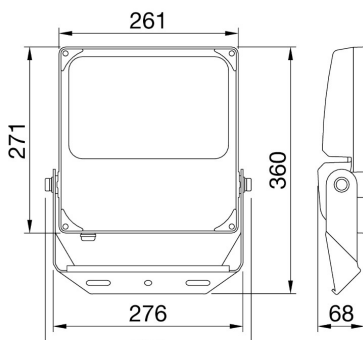
#### STANDARDS AND APPROVALS

Classificering	-
Toestel met verlaagde oppervlaktetemperatuur	-
DIN 18032-3-certificering	Not available
IPEA	-
Isolatie-klasse	I
IP-graad	IP66
Stootbestendigheid	IK08
Glow Wire Test	750 °C

#### INSTALLATION AND MAINTENANCE

Mounting and installation	Floodlight mast - Ceiling - Wall - Ground
Tilt	Rotation on bracket with integrated goniometer
Wiring	With power cable
Bevestiging	Via integrated bracket
Light source replaceability	Non-replaceable
Controlgear replaceability	By professional

### DIMENSIONAL



### PHOTOMETRIC DISTRIBUTION

ELIA FL

302

### TECHNICAL SYMBOLOGY



0,07 m<sup>2</sup>



**IP**  
IP66

**IK**  
IK08

**GWT**  
750 °C

### STANDARDS/APPROVALS

