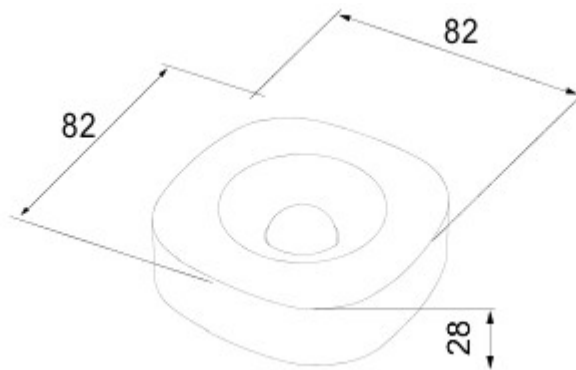




Wirelessly connected device with Zigbee protocol from the ChoruSmart system. It can be used with Home Gateway for "CONNECTED SMART HOME" solutions and with Smart Gateway for "HOME AND BUILDING PRO" solutions. Ideal for residential and small commercial offices, new builds and renovations. Zigbee technology is a secure and reliable technology in which data is encrypted and every node within the network ensures reachability across all devices (mesh network). This device can also be used without Home Gateway and Smart Gateway (manual configuration with dip-switch or via IoT Configurator), in which case supervision via the app is not possible.

Categorie	Motion sensor	Kleur	Wit
Communicatieprotocol	Zigbee (IEEE 802.15.4)	Voedings- spanning	Door batterij gevoed
Voeding batterijen	CR123 replaceable	Output power	3 dBm
Licht sensor	3...70.000 lux	Max. serie	6 m
Horizontal bearing angle	± 45°	Vertical bearing angle	± 45°
Temperatuursensor	0...50 °C	Standaard	2014/53/EU, EN 60669-2-1, ETSI EN 300 328
IP- graad	IP30	Bedrijfs- temperatuur	0 ÷ +50 °C
Opslagtemperatuur	-20 ÷ +80 °C	Relative humidity (non-condensative)	10 ÷ 95%
Afmetingen LxHxD (mm)	82x82x28	Electrocod	051A

DIMENSIONAL



TECHNICAL SYMBOLOGY

IP

IP30

STANDARDS/APPROVALS

