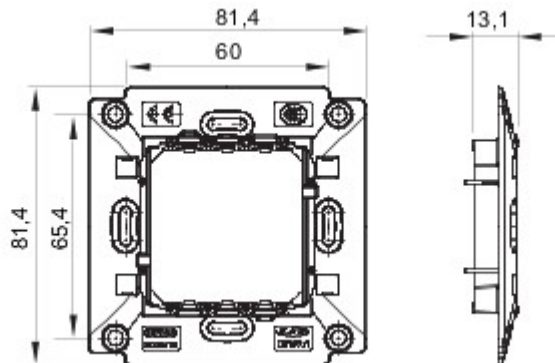


Wiring devices system characterized by its profile and shape inspired to the Chorus family feeling. Wide range of plates with an Italian design, articulated into two families, GEO and LUX cover plates, available in many materials and finishes. The range is available in three colors: glossy white, satin black, painted titanium and fits in 3x3 inches (1-gang) and 3x6 inches (2-gang) British Standard boxes. Range expandable thanks to the Chorus modular devices.

Omschrijving	2 stellen	Eigenschappen	Halogenvrij
Bevestiging	Met schroeven (M6/32x23 meegeleverd)	Voor doos	1 gang british standard
Gloedraadproef	650 °C	Thermospanning met kogel	70 °C
Standaard	EN 60669-1	Electrocod	0122

DIMENSIONAL



TECHNICAL SYMBOLOGY



GWT

650 °C



70 °C

STANDARDS/APPROVALS

