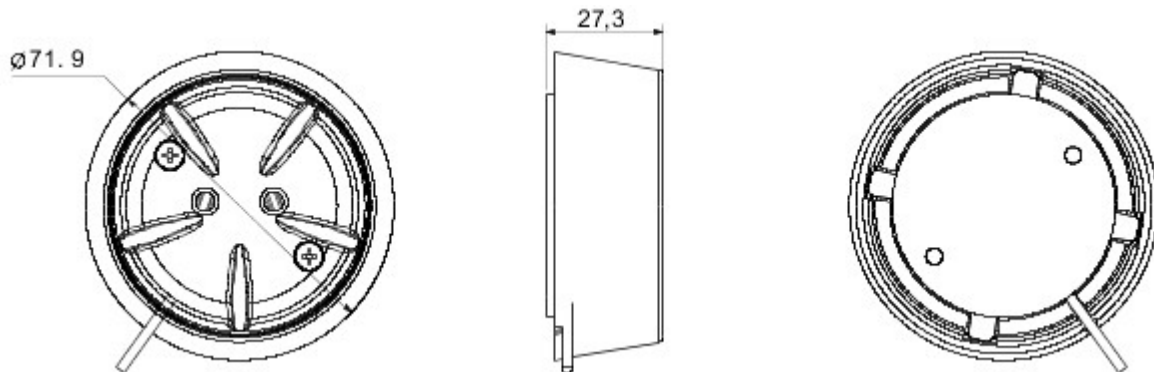




Surface mounting accessory for a GWA connected water sensor1514.

| | | | |
|--------------------------|---|--------------------------------------|------------|
| Categorie | Accessory for flood sensor surface mounting | Kleur | Wit |
| Materiaal | Technopolymeer | Standaard | 2014/53/EU |
| IP- graad | IP20 | Bedrijfs- temperatuur | 0 ÷ +50 °C |
| Opslagtemperatuur | -20 ÷ +80 °C | Relative humidity (non-condensative) | 10 ÷ 95% |
| Frame afmetingen (mm) | Ø72x25 | Dimensions of probe (mm) | Ø50x8 |
| Cable max. length (cm) | 85 | Electrocod | 051A |

DIMENSIONAL



TECHNICAL SYMBOLOGY

IP

IP20

STANDARDS/APPROVALS

**UK
CA** **CE**