

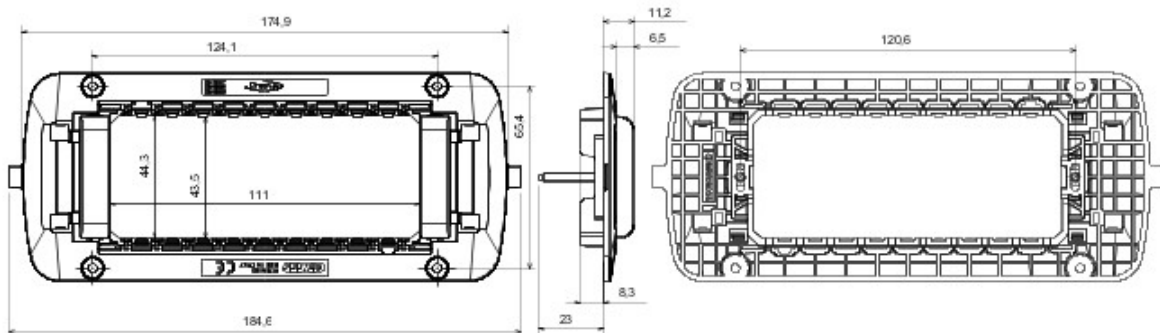
Britse norm



Wiring devices system characterized by its profile and shape inspired to the Chorus family feeling. Wide range of plates with an Italian design, articulated into two families, GEO and LUX cover plates, available in many materials and finishes. The range is available in three colors: glossy white, satin black, painted titanium and fits in 3x3 inches (1-gang) and 3x6 inches (2-gang) British Standard boxes. Range expandable thanks to the Chorus modular devices.

Omschrijving	2 stellen - 5 modules	Kleur	Zwart
Voor doos	2 gang - 5 modules british standard	Bevestiging	Met schroeven (M3,5x29 meegeleverd)
Gloedraadproef	650 °C	Thermospanning met kogel	70 °C
Standaard	EN 60669-1		

### DIMENSIONAL



### TECHNICAL SYMBOLOGY



### STANDARDS/APPROVALS

