

Draaischeidingschakelaars

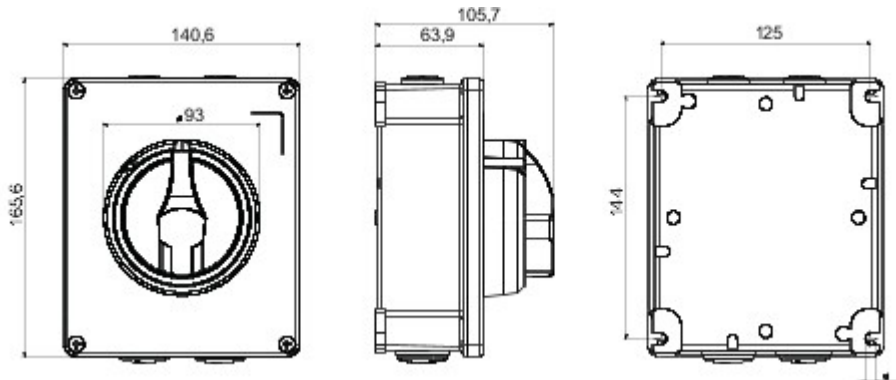


70 RT HP is a complete offer of rotary isolator switches from 16 A to 160 A, available in boxes both in insulating material and metal, in control or emergency versions, compatible with the main applications for residential, tertiary and industrial contexts.
 DC versions for photovoltaic applications are also available from 16 A to 40 A in insulating box.
 The series is completed with versions for board from 16 A to 800 A and for DIN rail fixing from 16 A to 63 A, which can be equipped with auxiliary contacts.
 The devices have been designed to reduce wiring time, facilitate installation and guarantee the maximum safety and robustness even in the most demanding conditions.

| | | | |
|-------------------------|-----------------|----------------------------------|--|
| Stroomonderbreker | Rotary isolator | Uitvoering | Doos |
| Materiaal | Metaal | Type | Command |
| Nominale stroom (A) | 32 | Aantal polen | 3P+N |
| Kleur knop | Zwart | Vergrendelbaar | YES (max. 3 locks in ON and OFF) |
| IP- graad | IP66 | Stoot- bestendigheid | IK10 (box); IK08 (knob) |
| Omgevingstemperatuur | -25 +60 °C | Dekselschroeven (aantal en type) | 4 metal screws |
| Current in AC21A (415V) | 32 | Gaten - ingang | 2 x M20 + 2 x M25 |
| Current in AC22A (415V) | 32 | Type accessoire | Max. 2 auxiliary contacts (1 per side) |
| Current in AC23A (415V) | 32 | Kabel- doorsnede | 1-10 mm² |



DIMENSIONAL



TECHNICAL SYMBOLOGY

IP

IP66

IK

IK10 (box); IK08 (knob)

STANDARDS/APPROVALS

