

#### Draaischeidingschakelaars

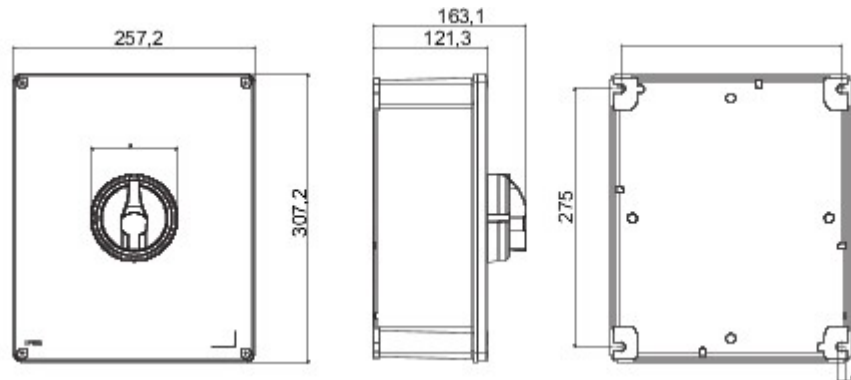


70 RT HP is a new range of 16A to 160A switch disconnectors in isolating material and metal, supplied in a box. Available in control and emergency versions, the range is completed by board versions for front-panel or DIN rail assembly, in 16 to 63A options, all of which can be equipped with auxiliary contacts. These devices have been designed for deliver the ultimate in reliability, functionality and performance. They offer a technologically advanced solution that simplifies installation, reduces wiring times and ensures maximum safety and robustness, even in the most demanding conditions, thanks to the use of high-performance materials.

Uitvoering Type	Doos For emergency	Materiaal Nominale stroom (A)	Metaal 160
Aantal polen	4P	Stroomonderbreker	Rotary isolator
IP-graad	IP66	Stootbestendigheid	IK10 (IK08 knob)
Omgevingstemperatuur	-25 +60 °C	Dekselschroeven (aantal en type)	4 metal screws
Vergrendelbaar	YES (max. 3 locks in OFF)	Type accessoire	Max. 1 auxiliary contact
Current in AC22 (415V)	160	Current in AC23 (415V)	125
Kabeldoorsnede	Max. 70 mm <sup>2</sup>	Buitenafm. LxHxD (mm)	257x307x121
Electrocod	1742		



#### DIMENSIONAL



#### TECHNICAL SYMBOLOGY

**IP**      **IK**  
 IP66      IK10 (IK08 knob)

#### STANDARDS/APPROVALS

